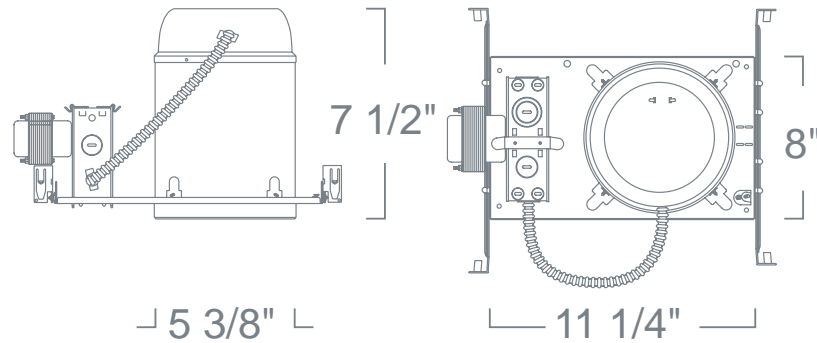


## LH1599 - STANDARD HOUSING

### 5" LOW VOLTAGE HOUSINGS



## PROJECT INFORMATION

Type :

Project :

Catalog # :

FEATURE(S):



## SPECIFICATION

Ceiling cut-out: 5 3/4"

12V Out 75W Max

**Application:** General purpose recessed downlight housing for medium to high ceilings for residential and light commercial applications. A variety of trims, compatible styles and finishes are available to achieve the proper décor and illumination.

**Housing:** Pre-wired housing adjusts up to a 1 1/2" ceiling thickness. Integral thermal protector to guard against improper lamping and installation. Trim is secured with torsion wing springs/standard coil springs.

**Mounting:** Housing suitable for new construction installations only, supplied with (2) 24" adjustable hanger bars with 90 degrees repositioning ability. Hanger bars equipped with nail-less install 3/4" serrated barbed studs and with captive nails, for faster and easier secure mounting in wood joists. Set-screws lock into position and prevent shifting after installation. Earthquake structural cable compatible for drop panel ceiling or any other mounting that requires direct support from structural ceilings.

**Transformer:** Class H insulated magnetic transformer installed adjacent to Junction Box, bottom and top accessible. Thermally protected rated for 90° C

**Socket:** 2-pin porcelain socket with aluminum heat sink plate. Lamp clips to trim to ensure proper and consistent positioning.

**Junction Box:** 16 gauge pre-wired galvanized steel Junction Box, 25 cubic-inch for a maximum of (8) #12 AWG wires. Furnished with (5) 3/4", (1) 1" and (4) Romex knock-outs. Strain clamps to install or remove covers for easy access and ground wire. Equipped with safety standard fitting for flex-conduit.

**Insulation Contact:** Non IC rated housing must be kept 3" from insulation.

**Safety Labels:** UL/CUL listed for through-branch wiring (8) No.12 AWG 90°C and suitable for damp locations. NYC approved: Calendar #41937.

**Label:** U.L. Listed, E.T.L. Listed

## COMPATIBILITY

<b>LR1503</b> ADJUSTABLE GIMBAL W/ BAFFLE	<b>LR1520</b> ADJUSTABLE SPOT W/ BAFFLE	<b>LR1557</b> SUPER ADJUSTABLE PULL DOWN
<b>LR1567</b> ADJUSTABLE PULL DOWN	<b>LR1588</b> ADJUSTABLE SPOT	<b>LR1598</b> ADJUSTABLE EYEBALL W/ BAFFLE

Note: Wattage limitations on compatible items must be met.

## ORDERING

ORDERING EXAMPLE : LH1599-75

LH1599	RATING	WATTAGE	VOLTAGE*	ACCESSORIES
<b>LH1599</b>	<b>Blank:</b> Standard	<b>Blank:</b> 50W <b>-75</b> :75W	<b>Blank:</b> 120V/12V <b>-27</b> :277V/12V (Electronic*)	<b>/LBL20</b> :20W Derating <b>/LBL35</b> :35W Derating

\* Available with 120V/277V Magnetic Option, consult factory.