

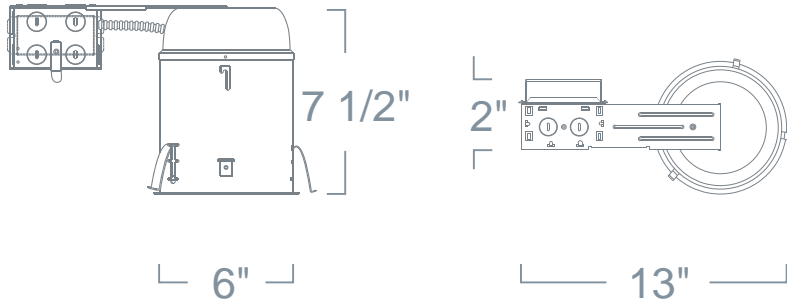


Type :

Project :

Catalog # :

LH276R - REMODEL HOUSING (ELECTRONIC) 6" COMPACT FLUORESCENT HOUSINGS



FEATURE(S):



SPECIFICATION

Ceiling cut-out: 6 1/4"

CFL DTT/TTT

Application: General purpose recessed downlight housing for medium to high ceilings for residential and light commercial applications. A variety of trims, compatible styles and finishes are available to achieve the proper décor and illumination.

Housing: Pre-wired .042" steel housing adjusts up to 1 1/2" ceiling thickness. This housing has torsion remodeling clips for secure installation. Trim is secured with torsion wing springs/standard coil springs. Designed to be installed in existing sheet rock ceilings via ceiling cut out (above ceiling access is not required).

Mounting: Housing suitable for existing or new construction installations, supplied with high tension remodeling clips, designed to secure the housing to an existing sheet rock ceiling for fast and easy installation.

Ballast: Electronic Class P 60Hz Ballast with Inherent thermal protection. For Double Twin Tube (DTT) or Triple Twin Tube Lamps (TTT). Sound A rated. Micro-Processor controlled. Min. starting temperature -10°C. Accessible from above or below the ceiling. Contact factory for detailed technical information on ballast specifications. Note: For dimming applications must use compatible dimmer switch. Consult specific ballast manufacturer for up-to-date compatibility list.

Socket: Thermo-plastic socket UL Listed rated for high temperature and provides nickel plated contacts. Either accepts 2-Pin lamps for use with magnetic ballast or 4-Pin lamps with electronic ballast selection. Vertically adjustable galvanized steel plate enables lamp repositioning to optimize performance.

Junction Box: 16 gauge pre-wired galvanized steel Junction Box, 32 cubic-inch for a maximum of (8) #12 AWG wires. Furnished with (7) 3/4" and (4) Romex knock-outs. Strain clamps to install or remove covers for easy access and ground wire. Equipped with safety standard fitting for flex-conduit.

Safety Labels: UL/CUL listed for through-branch wiring (8) No.12 AWG 90°C and suitable for damp locations. NYC approved: Calendar #41937.

Emergency Option: Emergency back-up operates one lamp for a minimum of 90 minutes at 750 Lumens in case of power outage. Unit is remotely mounted. It includes battery, charger, and test switch with indicator light. Consult Factory for 1300 Lumen Package.

Label: U.L. Listed, E.T.L. Listed

COMPATIBILITY

 LRM330 METAL BAFFLE WITH GASKET	 LRM330W-GU24 METAL BAFFLE WITH GASKET W/ SOCKET MOUNT	 LR13 SHOWER TRIM W/ FRESNEL LENS
 LR14 SHOWER TRIM W/ FROSTED GLASS DOME	 LR16 SHOWER TRIM W/ OPAL LENS	 LR366 GLASS DOME W/ BAFFLE
 LR370 DECO GLASS OPEN CONE	 LR377 FROSTED GLASS DOME W/ REFLECTOR	 LR380 DECO GLASS RING-SHAPED
 LR449 DECO GLASS OPEN DOME REFLECTOR	 LR470 DECO GLASS OPEN DOME BAFFLE	 LR99S REFLECTOR (CONE)
 LRA42 PRISMATIC GLASS LENS W/ REFLECTOR	 LRA43 PRISMATIC GLASS LENS W/ BAFFLE	 LRM30 METAL BAFFLE 30

Please see website for more compatible items.
Note: Wattage limitations on compatible items must be met.

ORDERING

ORDERING EXAMPLE : LH276R-18E

LH276R	WATTAGE	BALLAST	OPTION
LH276R	Blank: 13W	UD :0-10V Dimming (120V/277V)	Blank: None
	-18 :18W	E :Electronic (120V)	-EM :Emergency
	-26 :26W	E-27 :Electronic (277V)	-FS :Fuse
	-32 :32W	-120D :2 Wire-Dimming(120V)	
	-42 :42W	-347 :347V	