

LH276R - REMODEL HOUSING 2-LAMP

6" COMPACT FLUORESCENT HOUSINGS - 2 LAMP

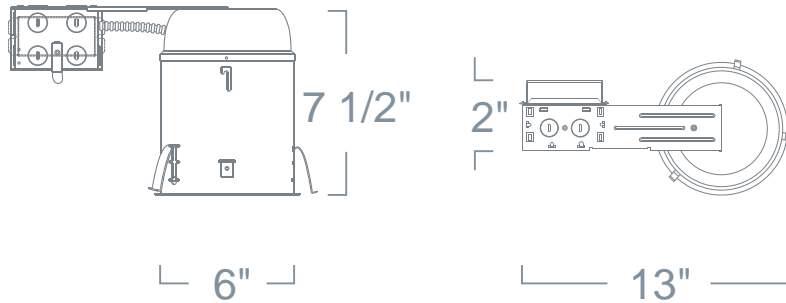


PROJECT INFORMATION

Type :

Project :

Catalog # :



This Housing is now available as ENERGY STAR, please consult factory for up to date Energy Star ordering.

FEATURE(S):



SPECIFICATION

Ceiling cut-out: 6 1/4"

CFL (2) 18W Max DTT

Application: General purpose recessed downlight housing for medium to high ceilings for residential and light commercial applications. A variety of trims, compatible styles and finishes are available to achieve the proper décor and illumination.

Housing: Pre-wired .042" steel housing adjusts up to 1 1/2" ceiling thickness. This housing has torsion remodeling clips for secure installation. Trim is secured with torsion wing springs/standard coil springs. Designed to be installed in existing sheet rock ceilings via ceiling cut out (above ceiling access is not required).

Mounting: Housing suitable for existing or new construction installations, supplied with high tension remodeling clips, designed to secure the housing to an existing sheet rock ceiling for fast and easy installation.

Ballast: Electronic Class P 60Hz Ballast with Inherent thermal protection. For Double Twin Tube (DTT) or Triple Twin Tube Lamps (TTT). Sound A rated. Micro-Processor controlled. Min. starting temperature -10°C. Accessible from above or below the ceiling. Contact factory for detailed technical information on ballast specifications. Note: For dimming applications must use compatible dimmer switch. Consult specific ballast manufacturer for up-to-date compatibility list.

Socket: Thermo-plastic socket UL Listed rated for high temperature and provides nickel plated contacts. Either accepts 2-Pin lamps for use with magnetic ballast or 4-Pin lamps with electronic ballast selection. Vertically adjustable galvanized steel plate enables lamp repositioning to optimize performance.

Junction Box: 16 gauge pre-wired galvanized steel Junction Box, 32 cubic-inch for a maximum of (8) #12 AWG wires. Furnished with (7) 3/4" and (4) Romex knock-outs. Strain clamps to install or remove covers for easy access and ground wire. Equipped with safety standard fitting for flex-conduit.

Insulation Contact: Non IC rated housing must be kept 3" from insulation. IC rated housing rated for direct contact with low to medium density loosefill blown and rolled insulation. For use with high density loose fill blown insulation, reduce rated lamp wattage accordingly (roughly %15-%20).

Airflow: Airtight option is designed to restrict air flow from room into plenums in compliance to the WSEC - Washington State Energy Code, (Less than 2.0 CFM -Cubic Feet per Minute). Complies to Title24 air flow requirements (Air-tight).

Safety Labels: UL/CUL listed for through-branch wiring (8) No.12 AWG 90°C and suitable for damp locations. NYC approved: Calendar #41937.

ORDERING

ORDERING EXAMPLE : LH276R-213E-27

LH276R	WATTAGE	BALLAST*	OPTION
LH276R	-213 : (2) 13W	Blank: NPF (120V)	Blank: None
	-218 : (2) 18W	E-27 : Electronic (277V)	-FS : Fuse
		UD : Dimming (120V/277V)	-EM : Emergency

* NPF Only Available in 13W, consult factory for Energy Star ordering codes.