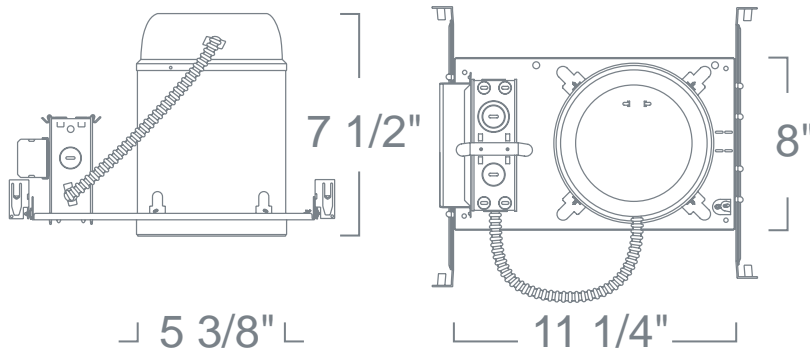


Type :

Project :

Catalog # :

## LH51 - IC HOUSING (ELECTRONIC) 5" VERTICAL COMPACT FLUORESCENT HOUSINGS



### SPECIFICATION

Ceiling cut-out: 5 3/4"

CFL DTT/TTT

**Application:** General purpose recessed downlight housing for medium to high ceilings for residential and light commercial applications. A variety of trims, compatible styles and finishes are available to achieve the proper décor and illumination.

**Housing:** Pre-wired housing adjusts up to a 1 1/2" ceiling thickness. Integral thermal protector to guard against improper lamping and installation. Housing provides an adjustable socket plate which allows for use of different lamp types. Trim is secured with torsion wing springs/standard coil springs.

**Mounting:** Housing suitable for new construction installations only, supplied with (2) 24" adjustable hanger bars with 90 degrees repositioning ability. Hanger bars equipped with nail-less install 3/4" serrated barbed studs and with captive nails, for faster and easier secure mounting in wood joists. Set-screws lock into position and prevent shifting after installation. Earthquake structural cable compatible for drop panel ceiling or any other mounting that requires direct support from structural ceilings.

**Socket:** Thermo-plastic socket UL Listed rated for high temperature and provides nickel plated contacts. Either accepts 2-Pin lamps for use with magnetic ballast or 4-Pin lamps with electronic ballast selection. Vertically adjustable galvanized steel plate enables lamp repositioning to optimize performance.

**Junction Box:** 16 gauge pre-wired galvanized steel Junction Box, 32 cubic-inch for a maximum of (8) #12 AWG wires. Furnished with (6) 3/4" and (4) Romex knock-outs. Strain clamps to install or remove covers for easy access and ground wire. Equipped with safety standard fitting for flex-conduit.

**Insulation Contact:** IC rated housing rated for direct contact with low to medium density loosefill blown and rolled insulation. For use with high density loosefill blown insulation, reduce rated lamp wattage accordingly (roughly %15-%20).

**Airflow:** Airtight option is designed to restrict air flow from room into plenums in compliance to the WSEC - Washington State Energy Code, (Less than 2.0 CFM -Cubic Feet per Minute). Complies to Title24 air flow requirements (Air-tight).

**Safety Labels:** ETL/CETL listed for through-branch wiring (8) No.12 AWG 90°C and suitable for damp locations. NYC approved: Calendar #41937.

### ORDERING

ORDERING EXAMPLE : LH5132ICAE-27-FS

LH51	WATTAGE	BALLAST*	OPTION
LH51	13ICA :13W	E :Electronic (120V)	Blank:None
	18ICA :18W	E-27 :Electronic (277V)	-FS :Fuse
	26ICA :26W	-120D :2-Wire Dimming (120V)	-EM :Emergency
	32ICA :32W	UD :Dimming (120V/277V)	

\* 120D option dimmable with any incandescent dimmer. Not available for 13W