



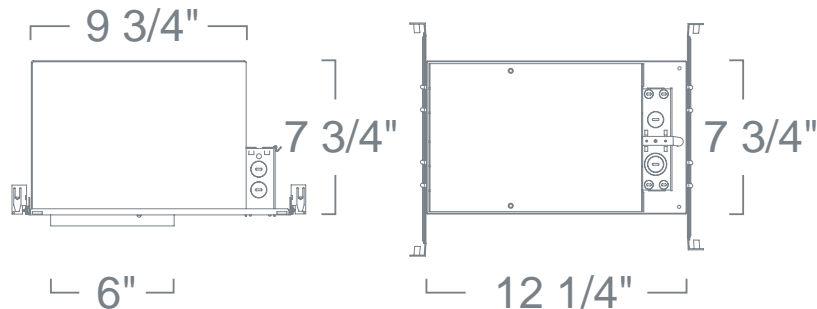
PROJECT INFORMATION

Type :

Project :

Catalog # :

FEATURE(S):



SPECIFICATION

Ceiling cut-out: 6 1/2"

12V 50W Max MR16 GU5.3

Housing: Pre-wired housing adjusts up to a 1 1/2" ceiling thickness. Integral thermal protector to guard against improper lamping and installation. Trim is secured with torsion wing springs/standard coil springs.

Mounting: Housing suitable for new construction installations only, supplied with (2) 24" adjustable hanger bars with 90 degrees repositioning ability. Hanger bars equipped with nail-less install 3/4" serrated barbed studs and with captive nails, for faster and easier secure mounting in wood joists. Set-screws lock into position and prevent shifting after installation. Earthquake structural cable compatible for drop panel ceiling or any other mounting that requires direct support from structural ceilings.

Transformer: Class H insulated magnetic transformer installed adjacent to Junction Box, bottom and top accessible. Thermally protected rated for 90° C

Socket: 2-pin porcelain socket with aluminum heat sink plate. Lamp clips to trim to ensure proper and consistent positioning.

Junction Box: 16 gauge pre-wired galvanized steel Junction Box, 25 cubic-inch for a maximum of (8) #12 AWG wires. Furnished with (5) 3/4", (1) 1" and (4) Romex knock-outs. Strain clamps to install or remove covers for easy access and ground wire. Equipped with safety standard fitting for flex-conduit.

Insulation Contact: IC rated housing rated for direct contact with low to medium density loosefill blown and rolled insulation. For use with high density loosefill blown insulation, reduce rated lamp wattage accordingly (roughly %15-%20).

Airflow: Airtight option is designed to restrict air flow from room into plenums in compliance to the WSEC - Washington State Energy Code, (Less than 2.0 CFM -Cubic Feet per Minute). Complies to Title24 air flow requirements (Air-tight).

Safety Labels: UL/CUL listed for through-branch wiring (8) No.12 AWG 90°C and suitable for damp locations. NYC approved: Calendar #41937.

Label: E.T.L. Listed

COMPATIBILITY

 LR2610 ADJUSTABLE SPOT W/ BAFFLE	 LR2611 ADJUSTABLE SPOT W/ REFLECTOR	 LR2616 ADJUSTABLE REFLECTOR
 LR2625 WALL WASH W/ REFLECTOR	 LR2630 ADJUSTABLE BAFFLE	 LR2633 SUPER ADJUSTABLE PULL DOWN BAFFLE
 LR2645 WALL WASH W/ BAFFLE	 LR2650 ADJUSTABLE SLOT	 LR2657 SUPER ADJUSTABLE PULL DOWN
 LR2675 ADJUSTABLE PAR36 W/ BAFFLE	 LR2676 ADJUSTABLE PAR36 W/ REFLECTOR	 LR2677 ADJUSTABLE AR111 W/ BAFFLE
 LR2678 ADJUSTABLE AR111 W/ REFLECTOR	 LR2679 PINHOLE	 LR2691 REFLECTOR W/ NARROW APERTURE

Please see website for more compatible items.

Note: Wattage limitations on compatible items must be met.

ORDERING

ORDERING EXAMPLE : LH7LVIC

LH7LVIC	RATING	WATTAGE	VOLTAGE*	ACCESSORIES
LH7LVIC	Blank:IC A :IC-Airtight	Blank:50W	Blank: 120V/12V -27 :277/12V (Electronic*)	/LBL20 :20W Derating /LBL35 :35W Derating

* Available with 120V/277V Magnetic Option, consult factory.