

## LHBM3 - 3" MINI-ARC H.I.D. HOUSING

### 3" MINI-ARC - H.I.D. COMMERCIAL HOUSINGS



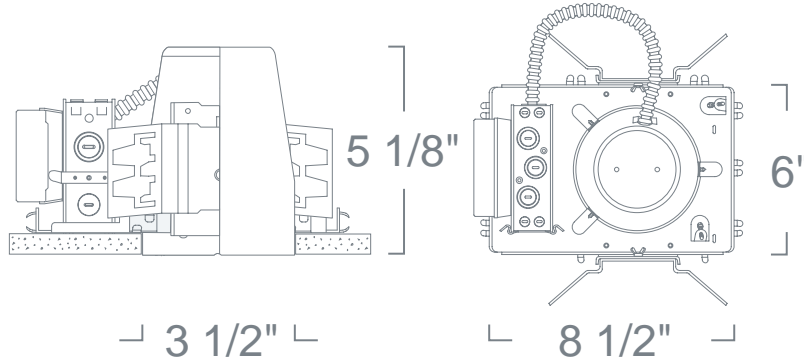
## PROJECT INFORMATION

Type :

Project :

Catalog # :

### FEATURE(S):



### SPECIFICATION

Ceiling cut-out: 3 7/8"

H.I.D. 39W Max CDM-tm BT-5/CMH-MR16

**Application:** Architectural-grade recessed downlight housing for low to medium height ceilings and commercial installations. A variety of trims, compatible styles and finishes are available to achieve the proper décor and illumination.

**Housing:** Pre-wired housing adjusts up to a 1 1/4" ceiling thickness. Integral thermal protector to guard against improper lamping and installation. Housing provides an adjustable socket plate which allows for use of different lamp types. Trim is secured with torsion wing springs.

**Mounting:** Housing suitable for new construction installations only, Bat-Wing bar hanger brackets adjust vertically 3 1/4" for multiple ceiling types and accepts 1/2" EMT. 26" C-Channel Strut for T-bar ceilings and 27" adjustable linear hanger bars for plaster ceilings or wood/metal joists. Heavy duty 16-gauge, die-formed galvanized steel. Bar hangers optional.

**Ballast :** High Power Factor electronic 120V 60Hz ballast. Provides up to 15% energy savings versus magnetic and increased lamp life. Class A sound rating. Thermal and transient protection. Min. starting temperature -20°C. THD less than 10%. Is accessible from above or below the ceiling. Contact Factory for detailed technical information.

**Socket:** Housing supplied with Thermo Plastic Quick Connector, Socket to be supplied with trim.

**Junction Box:** 16 gauge pre-wired galvanized steel Junction Box, 32 cubic-inch for a maximum of (8) #12 AWG wires. Furnished with (7) 3/4" and (4) Romex knock-outs. Strain clamps to install or remove covers for easy access and ground wire. Equipped with safety standard fitting for flex-conduit.

**Insulation Contact:** Non IC rated housing must be kept 3" from insulation.

**Safety Labels:** ETL/CETL listed for through-branch wiring (8) No.12 AWG 90°C and suitable for damp locations. NYC approved: Calendar #41937.

**Lamp Inclusion:** Ceramic Metal Halide lamp can be supplied with product packaging, use the following ordering codes:  
LLMTM-22: 20W CDM-tm, LLMTM-35: 35W TM

Covered by a 3 Year Warranty to be free of defects in materials and craftsmanship.

Label: E.T.L. Listed

Assembled in U.S.A.

### COMPATIBILITY

 <b>C260</b> C-CHANNEL HANGER BAR SET	 <b>L270</b> LINEAR HANGER BAR SET	 <b>LR3009</b> PAR20 ADJUSTABLE GIMBAL ( )
 <b>LR3021</b> PAR20 REFLECTOR	 <b>LR3093</b> PAR20 BAFFLE	 <b>LR3103</b> CMH-MR16 CROSS BLADE REFLECTOR
 <b>LR3188</b> CMH-MR16 ADJUSTABLE GIMBAL	 <b>LR3193</b> CMH-MR16 BAFFLE	 <b>LR3209</b> CDM-TM ADJUSTABLE GIMBAL
 <b>LR3217</b> CDM-TM REFLECTOR		

Note: Wattage limitations on compatible items must be met.

### ORDERING

ORDERING EXAMPLE : LHBM3035-A/C260

LHBM3	WATTAGE *	VOLTAGE*	OPTIONS
<b>LHBM3</b>	<b>020-A</b> :20W	<b>Blank</b> :120V	<b>Blank</b> :None
	<b>022-A</b> :22W*	<b>-27</b> :277V	<b>/C260</b> :(2)26" C- Channel Hanger Bars
	<b>035-A</b> :35W*		<b>/L270</b> :(2)27" Linear Hanger Bars
	<b>039-A</b> :39W		

\* Subject to Availability from Ballast Manufacture  
277V Input is not available for the CDM-tm lamp