

LHLD4IC - 4" IC DOUBLE WALL L.E.D. HOUSING

4" L.E.D. HOUSINGS

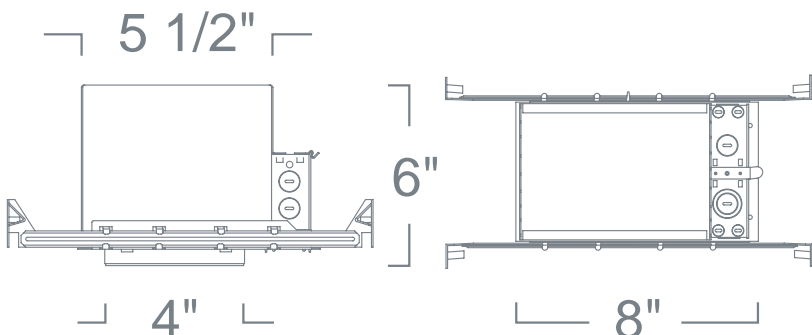
PROJECT INFORMATION

Type :

Project :

Catalog # :

FEATURE(S):



SPECIFICATION

Ceiling cut-out: 4 1/2"

L.E.D. 15W max

Application: General purpose recessed downlight housing for low to medium height ceilings for residential and light commercial applications. A variety of trims, compatible styles and finishes are available to achieve the proper décor and illumination.

Housing: Pre-wired housing adjusts up to a 1 1/4" ceiling thickness. Integral thermal protector to guard against improper lamping and installation. Trim is secured via positive retention friction clips.

Mounting: Housing suitable for new construction installations only, supplied with (2) 24" adjustable hanger bars with 90 degrees repositioning ability. Hanger bars equipped with nail-less install 3/4" serrated barbed studs and with captive nails, for faster and easier secure mounting in wood joists. Set-screws lock into position and prevent shifting after installation. Earthquake structural cable compatible for drop panel ceiling or any other mounting that requires direct support from structural ceilings.

Power Connection: LED heat sinked lamp module is replaceable via on board quick disconnect terminal. No tools required.

Driver: Electronic Direct Current U.L. Listed driver mounted away from LED Array for cool operation and end-of-life modularity. Comes stand with 120VAC input, available with optional 120V/277V universal voltage input.

Incandescent dimming option (-DIN) works with standard Incandescent dimmers. Factory qualified for use with Wattstopper Brand Dimmer: DCD267, smoothly dims down to 0.1%.

Low Voltage dimming option (-DLV) works with standard Electronic Low Voltage Dimmers. Factory qualified for use with LUTRON Brand Dimmers: SELV-300P, DVELV-300P, MAELV-600, NELV-450 along with 3-Way versions. (-DLV) Dimming Option also compatible with Grafik Eye Dimming Interface ELVI-1000, smoothly dims down as low as 10% of initial light output with flicker-free operation.

Warranty: Covered by a 3 Year Warranty to be free of defects in materials and craftsmanship.

Junction Box: 16 gauge pre-wired galvanized steel Junction Box, 32 cubic-inch for a maximum of (8) #12 AWG wires. Furnished with (7) 3/4" and (4) Romex knock-outs. Strain clamps to install or remove covers for easy access and ground wire. Equipped with safety standard fitting for flex-conduit.

Insulation Contact: Energy Efficient L.E.D. housing comes standard with IC rating for direct contact with loosefill blown and rolled insulation.

COMPATIBILITY

 LR4L68 L.E.D. PULL DOWN	 LRLD400 LOW PROFILE L.E.D. TRIM	 LRLD401 LENSED SHOWER L.E.D. TRIM
 LRLD421 DEEP L.E.D. REFLECTOR	 LRLD442 DECO DOME	

Note: Wattage limitations on compatible items must be met.

ORDERING

ORDERING EXAMPLE : LHLD4IC10C50

LHLD4IC	WATTAGE
LHLD4IC	10C50 :10W
	15C70 :15W
	10C50-DLV :10W Low Voltage Dimming
	15C70-DLV :15W Low Voltage Dimming
	10C50UE :10W (120V/277V)
	15C70UE :15W (120V/277V)
	15C70-DIN :15W Incandescent Dimming