

LHLD5 - 5" IC L.E.D. HOUSING

5" L.E.D. HOUSING

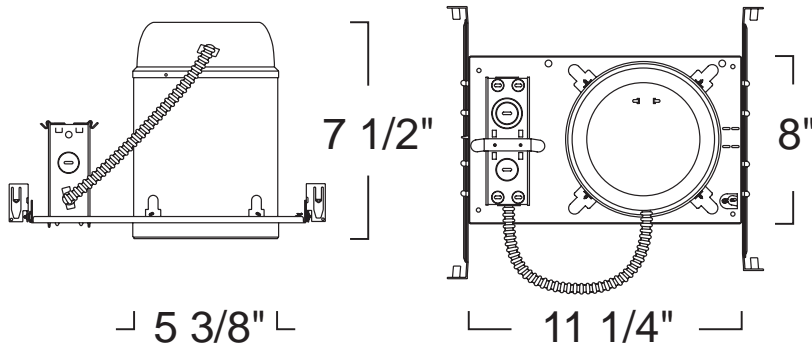
PROJECT INFORMATION

Type :

Project :

Catalog # :

FEATURE(S):



SPECIFICATION

Ceiling cut-out: 5 3/4"

L.E.D. 10W/15W

Housing: Pre-wired housing adjusts up to a 1 1/4" ceiling thickness. Integral thermal protector to guard against improper lamping and installation. Trim is secured via positive retention friction clips.

Mounting: Housing suitable for new construction installations only, supplied with (2) 24" adjustable hanger bars with 90 degrees repositioning ability. Hanger bars equipped with nail-less install 3/4" serrated barbed studs and with captive nails, for faster and easier secure mounting in wood joists. Set-screws lock into position and prevent shifting after installation. Earthquake structural cable compatible for drop panel ceiling or any other mounting that requires direct support from structural ceilings.

Driver: Electronic Direct Current U.L. Listed driver mounted away from LED Array for cool operation and end-of-life modularity. Comes stand with 120VAC input, available with optional 120V/277V universal voltage input.

Incandescent dimming option (-DIN) works with standard Incandescent dimmers.
Factory qualified for use with Wattstopper Brand Dimmer: DCD267, smoothly dims down to 0.1%.

Low Voltage dimming option (-DLV) works with standard Electronic Low Voltage Dimmers.
Factory qualified for use with LUTRON Brand Dimmers: SELV-300P, DVELV-300P, MAELV-600, NELV-450 along with 3-Way versions. (-DLV) Dimming Option also compatible with Grafik Eye Dimming Interface ELVI-1000, smoothly dims down as low as 10% of initial light output with flicker-free operation.

Power Connection: LED heat sinked lamp module is replaceable via on board quick disconnect terminal. No tools required.

Thermal Management: Heat dissipation facilitated by integral aluminum heat sink to maximize heat rejection.

Warranty: Covered by a 3 Year Warranty to be free of defects in materials and craftsmanship.

Junction Box: 16 gauge pre-wired galvanized steel Junction Box, 32 cubic-inch for a maximum of (8) #12 AWG wires. Furnished with (7) 3/4" and (4) Romex knock-outs. Strain clamps to install or remove covers for easy access and ground wire. Equipped with safety standard fitting for flex-conduit.

Insulation Contact: Energy Efficient L.E.D. housing comes standard with IC rating for direct contact with loosefill blown and rolled insulation.

COMPATIBILITY

 LRLD521 DEEP L.E.D. REFLECTOR	 LRLD542 L.E.D. DECO GLASS DOME	 LRLD578 ADJUSTABLE REGRESSED L.E.D. GIMBAL
 LRLD588 ADJUSTABLE L.E.D. GIMBAL	 LRLD593 DEEP L.E.D. REFLECTOR	

Note: Wattage limitations on compatible items must be met.

ORDERING

ORDERING EXAMPLE : LHLD5

LHLD5	WATTAGE
LHLD5 10C50	:10W
LHLD5 15C70	:15W
10C50-DLV	:10W Low Voltage Dimming
15C70-DLV	:15W Low Voltage Dimming
15C70UE	:15W (120V/277V)
15C70-DHL	:15W Hi-Lume Dimming
15C70-DIN	:15W Incandescent Dimming