

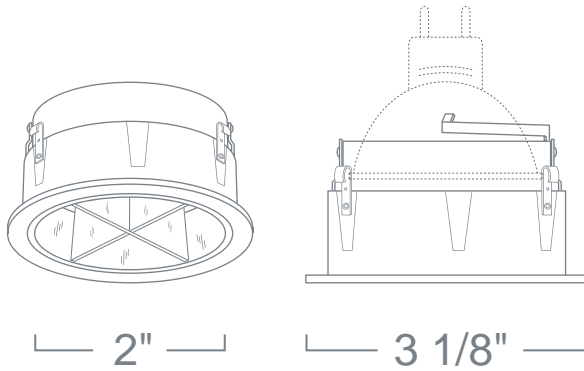


### PROJECT INFORMATION

Type :

Project :

Catalog # :



FEATURE(S):



### SPECIFICATION

120V 50W Max MR16 GU10

**Application:** Perfect solution for low-profile design in hard-to-light spaces.

**Gasket:** Supplied with gasket to prevent light leakage and unsightly heat streaks on ceiling surface.

**Lens Inclusion:** Clear glass protective safety lens included in packaging.

**Mounting** Steel pressure springs mounted on trim to ensure positive retention inside housing.

**Finish:** Die-Formed Construction Available in All White, All Natural "Raw" Metal and All Copper.

**Accessories:** Takes up to (3) 2" Media.

**Label:** E.T.L. Listed

### COMPATIBILITY



LH2

NEW CONSTRUCTION



LH2R

REMODEL

Note: Wattage limitations on compatible items must be met.

### ORDERING

ORDERING EXAMPLE : LR1203CO

LR1203	FINISH	RATING	ACCESSORIES
<b>LR1203</b>	<b>W</b> :All White	<b>Blank</b> :Damp Location	<b>/L38</b> :Clear Lens
	<b>N</b> :All Natural "Raw" Metal	<b>-WL</b> :Wet Location	<b>/L39</b> :Red Lens
	<b>CO</b> :All Copper		<b>/L40</b> :Yellow Lens
			<b>/L41</b> :Blue Lens
			<b>/L42</b> :Amber Lens
			<b>/L43</b> :Green Lens
			<b>/L44</b> :Daylight Blue Lens
			<b>/L48</b> :Lens with Internal Louver Filter
			<b>/L49</b> :Frosted Soft Focus
			<b>/L50UV</b> :UltraViolet Filter
			<b>/L53</b> :Micro - Prismatic Spread Lens
			<b>/L54</b> :Micro - Prismatic Spread Lens (Light Diffuse)
			<b>/L55</b> :Linear Spread Lens
			<b>/LL16B</b> :Black
			<b>/LL16C</b> :Clear
			<b>/LL16HD-B</b> :Heavy Duty Black
			<b>/LL16HD-C</b> :Heavy Duty Clear