

LR1293 - MR16 BAFFLE

2" LOW VOLTAGE DOWNLIGHT DIE-CAST TRIMS

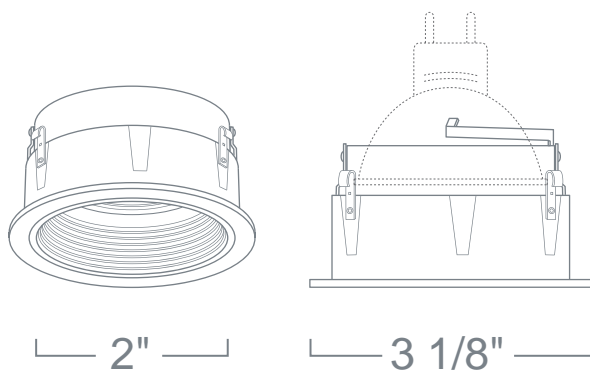


PROJECT INFORMATION

Type :

Project :

Catalog # :



FEATURE(S):



SPECIFICATION

12V 50W Max MR16 GU5.3

Application: Perfect solution for low-profile design in hard-to-light spaces.

Gasket: Supplied with gasket to prevent light leakage and unsightly heat streaks on ceiling surface.

Lens Inclusion: Clear glass protective safety lens included in packaging.

Mounting Steel pressure springs mounted on trim to ensure positive retention inside housing.

Finish: Die-formed aluminum baffle ridges eliminate stray light./ Die-Cast Aluminum Trim Ring Available in All White, Black w/ White Ring, All Natural "Raw" Metal, All Copper and All Mocha.

Accessories: Takes up to (3) 2" Media.

Label: E.T.L. Listed

COMPATIBILITY

 LH1299 NEW CONSTRUCTION (NON-IC)	 LH1299IC NEW CONSTRUCTION (IC)	 LH1299R REMODEL
 LHR1299 REMOTE HOUSING - NO TRANSFORMER		

Note: Wattage limitations on compatible items must be met.

ORDERING

ORDERING EXAMPLE : LR1293B-WL

LR1293	FINISH	RATING	ACCESSORIES
LR1293	W :All White	Blank :Damp Location	/L38 :Clear Lens
	B :Black w/ White Ring	-WL :Wet Location	/L39 :Red Lens
	N :All Natural "Raw" Metal		/L40 :Yellow Lens
	CO :All Copper		/L41 :Blue Lens
	MO :All Mocha		/L42 :Amber Lens
			/L43 :Green Lens
			/L44 :Daylight Blue Lens
			/L48 :Lens with Internal Louver Filter
			/L49 :Frosted Soft Focus
			/L50UV :UltraViolet Filter
			/L53 :Micro - Prismatic Spread Lens
			/L54 :Micro - Prismatic Spread Lens (Light Diffuse)
			/L55 :Linear Spread Lens
			/LL16B :Black
			/LL16C :Clear
			/LL16HD-B :Heavy Duty Black
			/LL16HD-C :Heavy Duty Clear