

LR18 - ADJUSTABLE EYEBALL

6" LINE VOLTAGE TRIMS



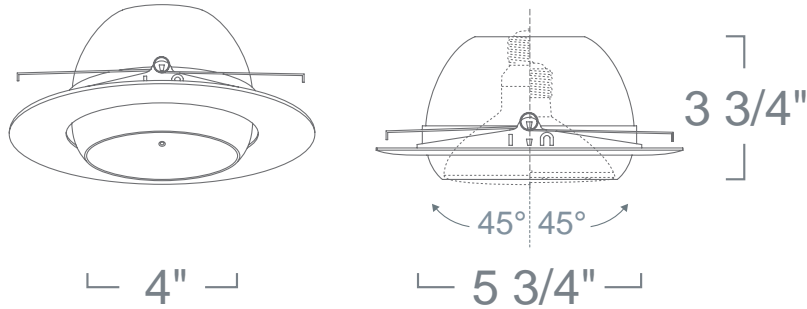
PROJECT INFORMATION

Type :

Project :

Catalog # :

FEATURE(S):



SPECIFICATION

120V 75W Max PAR30 MED E26

Application: Accent lighting and wall-washing are the two applications for which eyeballs are commonly used. They can be aimed and adjusted to focus on specific objects or areas. These **eyeball** trim fixtures provide flexibility and versatility by doubling as both a downlight and as an accent light. They are an economic way to provide general and accent lighting with both vertical and horizontal aiming capabilities. Their large degrees of rotation result in both visual style and practical ergonomics.

Mounting Steel pressure springs mounted on trim to ensure positive retention inside housing.

Adjustability Lamp can be tilted 45° degrees vertically and rotated 358° degrees horizontally.

Finish: Die-Formed Construction Available in White, Black, Gold, Natural, Copper and Mocha.

Label: U.L. Listed, E.T.L. Listed

COMPATIBILITY

 LH27 STANDARD SHALLOW HOUSING	 LH27R REMODEL SHALLOW HOUSING	 LH7 STANDARD HOUSING
 LH7IC 100W IC HOUSING ()	 LH7R REMODEL HOUSING	

Note: Wattage limitations on compatible items must be met.

ORDERING

ORDERING EXAMPLE : LR18MO

LR18	FINISH
LR18	W :White
	B :Black
	G :Gold
	N :Natural
	CO :Copper
	MO :Mocha