

LR2699 - ADJUSTABLE PULL DOWN W/ BARNDOR

6" LOW VOLTAGE TRIMS



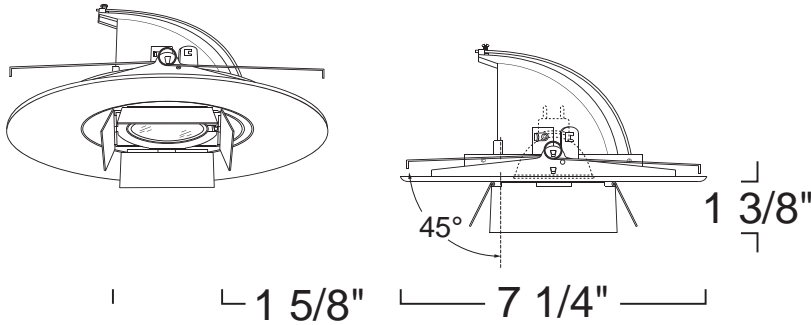
PROJECT INFORMATION

Type :

Project :

Catalog # :

FEATURE(S):



SPECIFICATION

12V 75W Max MR16 GU5.3

Application: These **adjustable** trims provide flexibility and versatility by doubling as both a downlight and as an accent light. Although most trims come with adjustable lamp holders, these trims have larger degrees of rotation resulting in both visual style and practical ergonomics.

The **elbow** design allows for full horizontal and vertical adjustability. With the lamp enclosed in the trim, annoying glares from back and sides of the trim are eliminated to provide visual comfort. Additional options are available providing glare and optical control.

Mounting Steel pressure springs mounted on trim to ensure positive retention inside housing.

Adjustability Lamp can be tilted 85° degrees vertically and rotated 358° degrees horizontally.

Trim Finish: Die-Formed Construction Available in White, Black, Natural and Copper.

Accessories: Takes (1) 2" Media.

Label: E.T.L. Listed

COMPATIBILITY



LH7LV

STANDARD HOUSING
120V/277V



LH7LVC

IC HOUSING



LH7RLV

REMODEL HOUSING
120V/277V



LKS0

MR16 RETROFIT
TRANSFORMER

Note: Wattage limitations on compatible items must be met.

ORDERING

ORDERING EXAMPLE : LR2699B

LR2699	TRIM FINISH	ACCESSORIES	
LR2699	W :White	/L38	:Clear Lens
	B :Black	/L39	:Red Lens
	N :Natural	/L40	:Yellow Lens
	CO :Copper	/L41	:Blue Lens
		/L42	:Amber Lens
		/L43	:Green Lens
		/L44	:Daylight Blue Lens
		/L48	:Lens with Internal Louver Filter
		/L49	:Frosted Soft Focus
		/L50UV	:UltraViolet Filter
		/L53	:Micro - Prismatic Spread Lens
		/L54	:Micro - Prismatic Spread Lens (Light Diffuse)
		/L55	:Linear Spread Lens
		/LL16B	:Black
		/LL16C	:Clear
		/LL16HD-B	:Heavy Duty Black
		/LL16HD-C	:Heavy Duty Clear