

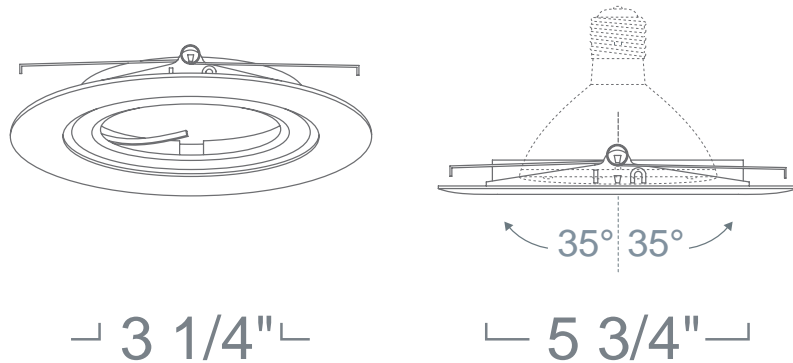


PROJECT INFORMATION

Type :

Project :

Catalog # :



FEATURE(S):



SPECIFICATION

120V 75W Max PAR30 MED E26

Application: Standard in residential adjustable illumination, these **gimbal** style trims provide flexibility and versatility from a single rotary axis. They double as both a downlight and as an accent light. They are an economic way to provide general and accent lighting with both vertical and horizontal aiming capabilities. Their large degrees of rotation result in both streamlined style and practical ergonomics. **PAR30** gimbals offer a smaller opening aperture, as well as a more controlled light beam for accenting objects.

Mounting Steel pressure springs mounted on trim to ensure positive retention inside housing.

Adjustability Lamp can be tilted 35° degrees vertically and rotated 358° degrees horizontally.

Finish: Die-Formed Construction Available in White, Black, Chrome, Natural and Copper.

Label: U.L. Listed, E.T.L. Listed

COMPATIBILITY

 LH27 STANDARD SHALLOW HOUSING	 LH27R REMODEL SHALLOW HOUSING	 LH7 STANDARD HOUSING
 LH7IC 100W IC HOUSING ()	 LH7R REMODEL HOUSING	

Note: Wattage limitations on compatible items must be met.

ORDERING

ORDERING EXAMPLE : LR330CO

LR330	FINISH
LR330	W :White
	B :Black
	C :Chrome
	N :Natural
	CO :Copper