

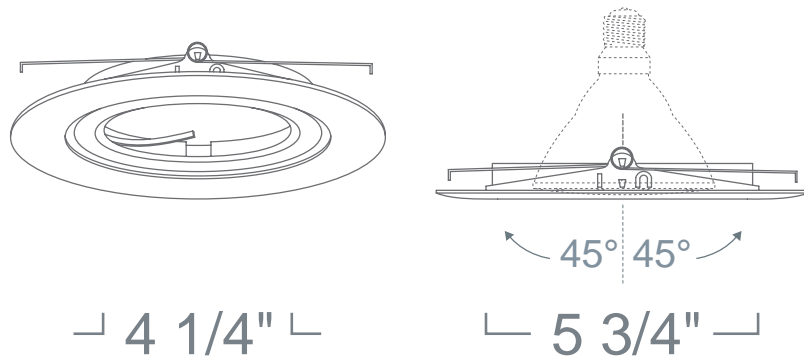


PROJECT INFORMATION

Type :

Project :

Catalog # :



FEATURE(S):



SPECIFICATION

H.I.D PAR38 MED E26

Application: The standard in residential adjustable illumination, these **gimbal** style trims provide flexibility and versatility from a single rotary axis. They double as both a downlight and as an accent light. They are an economic way to provide general and accent lighting with both vertical and horizontal aiming capabilities. Their large degrees of rotation result in both streamlined style and practical ergonomics. **PAR38** gimballs offer higher wattages accenting object far away objects.

Mounting Steel pressure springs mounted on trim to ensure positive retention inside housing.

Adjustability Lamp can be tilted 45° degrees vertically and rotated 358° degrees horizontally.

Ring Finish: Die-Formed Construction Available in White, Black, Gold, Natural and Copper.

Label: U.L. Listed, E.T.L. Listed

Limitation: Not for use w/Shallow Housings.

COMPATIBILITY



LH7MH

STANDARD HID HOUSING



LH7MHR

REMODEL HID HOUSING

Note: Wattage limitations on compatible items must be met.

ORDERING

ORDERING EXAMPLE : LR340CO

LR340	RING FINISH
LR340	W :White
	B :Black
	G :Gold
	N :Natural
	CO :Copper