

LR376 - ADJUSTABLE BAFFLE

6" LINE VOLTAGE TRIMS



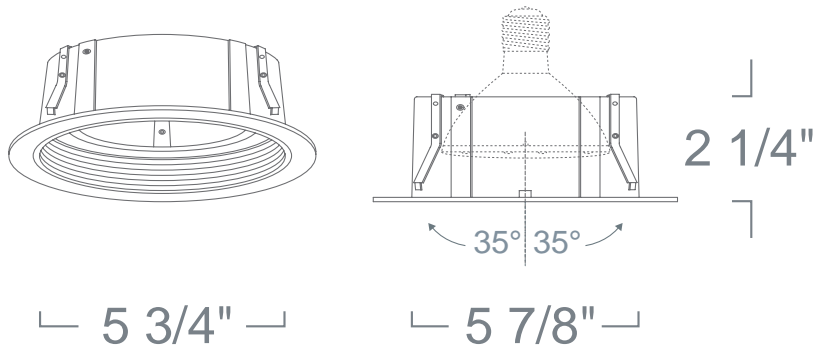
PROJECT INFORMATION

Type :

Project :

Catalog # :

FEATURE(S):



SPECIFICATION

120V 75W Max PAR30 MED E26

Application: Standard in residential adjustable illumination, the **gimbal** style trims provides flexibility and versatility from a single rotary axis. They double as both a downlight and as an accent light. They are an economical way to provide general and accent lighting with both vertical and horizontal aiming capabilities. Their large degrees of rotation result in both streamlined style and practical ergonomics. **PAR30** gimbals offer a smaller opening aperture, as well as a more controlled light beam for accenting objects. **Regressed** gimbal design conveniently helps shield lamp glare from surrounding environment.

Mounting Steel pressure springs mounted on trim to ensure positive retention inside housing.

Adjustability Lamp can be tilted 35° degrees vertically and rotated 358° degrees horizontally.

Baffle Finish *: Die-formed aluminum baffle ridges eliminate stray light. Available in White, Black, All Natural and All Copper.

Ring Finish: Die-Formed Aluminum Trim Ring Available in White, Black, Chrome, Gold, Natural, Copper and Mocha.

Label: U.L. Listed, E.T.L. Listed

COMPATIBILITY

 LH27 STANDARD SHALLOW HOUSING	 LH27R REMODEL SHALLOW HOUSING	 LH7 STANDARD HOUSING
 LH7IC 100W IC HOUSING ()	 LH7R REMODEL HOUSING	

Note: Wattage limitations on compatible items must be met.

ORDERING

ORDERING EXAMPLE : LR376B

LR376	BAFFLE FINISH *	RING FINISH
LR376	W :White	Blank :White
	B :Black	B :Black
	N :All Natural	C :Chrome
	CO :All Copper	G :Gold
		N :Natural
		CO :Copper
		MO :Mocha

* Finishes designated with "ALL" prior to the finish color come standard with a matching ring finish. Use "W" for White Ring.