

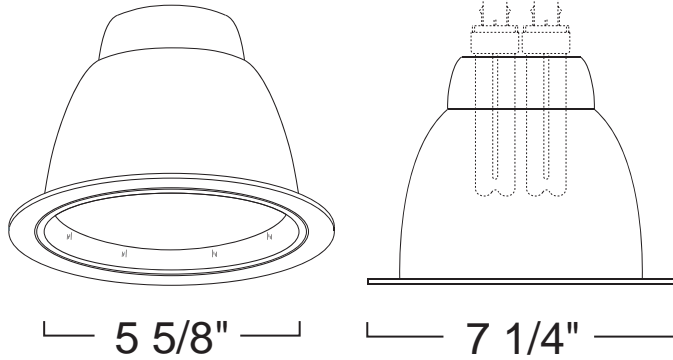
Type :

Project :

Catalog # :

LR377-2 - FROSTED GLASS DOME W/ REFLECTOR

6" COMPACT FLUORESCENT TRIMS - LH276-2 SERIES



FEATURE(S):



SPECIFICATION

CFL (2) 18W Max DTT/TTT

Application: Use these fully lensed downlights to protect the light source from harsh environments. The integral lens design shields the housing and lamp from corrosive and damaging environments like spas, as well as maintaining safety in food service areas like restaurants & residential kitchens.

Mounting Steel pressure springs mounted on trim to ensure positive retention inside housing.

Reflector Finish: Spun Aluminum Reflector Available in White, Black, Clear, Gold and Satin Haze.

Ring Finish: Die-Formed Aluminum Trim Ring Available in White, Black, Chrome, Natural, Copper and Mocha.

Label: U.L. Listed, E.T.L. Listed

COMPATIBILITY



LH276

STANDARD HOUSING
2-LAMP



LH276R

REMODEL HOUSING 2-
LAMP

Note: Wattage limitations on compatible items must be met.

ORDERING

ORDERING EXAMPLE : LR377-2WMO-FR

LR377-2	REFLECTOR FINISH	RING FINISH
LR377-2	W :White	-FR :White
	B :Black	B-FR :Black
	C :Clear	C-FR :Chrome
	G :Gold	N-FR :Natural
	S :Satin Haze	CO-FR :Copper
		MO-FR :Mocha