

LR377 - FROSTED GLASS DOME W/ REFLECTOR

6" COMPACT FLUORESCENT TRIMS - LH276 SERIES

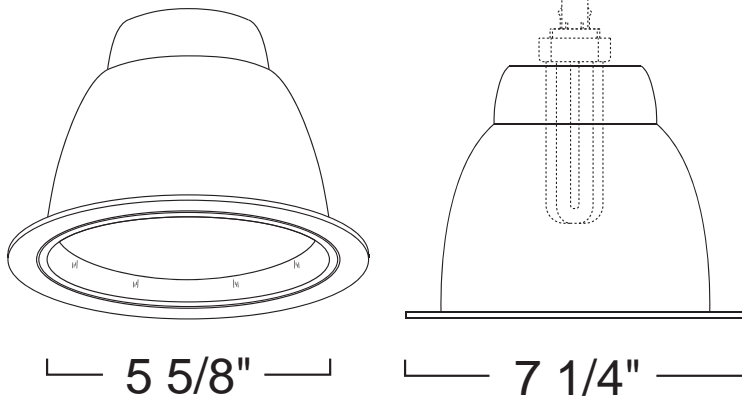


PROJECT INFORMATION

Type :

Project :

Catalog # :



FEATURE(S):



SPECIFICATION

CFL 18W Max DTT
32W TTT

Application: Use these fully lensed downlights to protect the light source from harsh environments. The integral lens design shields the housing and lamp from corrosive and damaging environments like spas, as well as maintaining safety in food service areas like restaurants & residential kitchens.

Mounting Steel pressure springs mounted on trim to ensure positive retention inside housing.

Reflector Finish: Spun Aluminum Reflector Available in White, Black, Clear, Gold and Satin Haze.

Ring Finish: Die-Formed Aluminum Trim Ring Available in White, Black, Chrome, Natural, Copper and Mocha.

Limitation: Not for use w/Shallow Housings.

COMPATIBILITY

 LH276 STANDARD HOUSING 1-LAMP (ELECTRONIC)	 LH276IC IC HOUSING 1-LAMP (ELECTRONIC)	 LH276R REMODEL HOUSING (ELECTRONIC)
 LH276R REMODEL HOUSING (MAGNETIC)	 LH276RICA REMODEL IC AIRTIGHT HOUSING	

Note: Wattage limitations on compatible items must be met.

ORDERING

ORDERING EXAMPLE : LR377SMO-FR

LR377	REFLECTOR FINISH	RING FINISH
LR377	W :White	-FR :White
	B :Black	B-FR :Black
	C :Clear	C-FR :Chrome
	G :Gold	N-FR :Natural
	S :Satin Haze	CO-FR :Copper
		MO-FR :Mocha