

## LR378 - ADJUSTABLE REFLECTOR

6" LINE VOLTAGE TRIMS

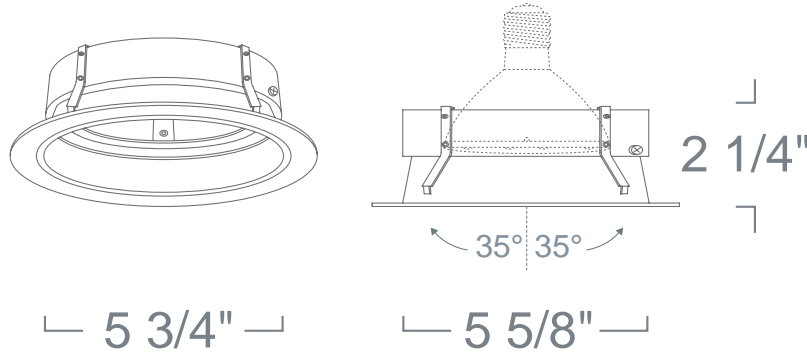


### PROJECT INFORMATION

Type :

Project :

Catalog # :



FEATURE(S):



### SPECIFICATION

120V 75W Max PAR30 MED E26

**Application:** Standard in residential adjustable illumination, the **gimbal** style trims provides flexibility and versatility from a single rotary axis. They double as both a downlight and as an accent light. They are an economical way to provide general and accent lighting with both vertical and horizontal aiming capabilities. Their large degrees of rotation result in both streamlined style and practical ergonomics. **PAR30** gimbals offer a smaller opening aperture, as well as a more controlled light beam for accenting objects. **Regressed** gimbal design conveniently helps shield lamp glare from surrounding environment.

**Mounting** Steel pressure springs mounted on trim to ensure positive retention inside housing.

**Adjustability** Lamp can be tilted 35° degrees vertically and rotated 358° degrees horizontally.

**Reflector Finish:** Spun Aluminum Reflector Available in White, Black and Clear.

**Ring Finish:** Die-Formed Aluminum Trim Ring Available in White, Black, Chrome, Gold, Natural, Copper and Mocha.

**Label:** U.L. Listed, E.T.L. Listed

### COMPATIBILITY

 <b>LH27</b> STANDARD SHALLOW HOUSING	 <b>LH27R</b> REMODEL SHALLOW HOUSING	 <b>LH7</b> STANDARD HOUSING
 <b>LH7IC</b> 100W IC HOUSING ( )	 <b>LH7R</b> REMODEL HOUSING	

Note: Wattage limitations on compatible items must be met.

### ORDERING

ORDERING EXAMPLE : LR378W

LR378	REFLECTOR FINISH	RING FINISH
<b>LR378</b>	<b>W</b> :White	<b>Blank</b> :White
	<b>B</b> :Black	<b>B</b> :Black
	<b>C</b> :Clear	<b>C</b> :Chrome
		<b>G</b> :Gold
		<b>N</b> :Natural
		<b>CO</b> :Copper
		<b>MO</b> :Mocha