

## LR38 - REGRESSED EYEBALL W/ BAFFLE 6" LINE VOLTAGE TRIMS

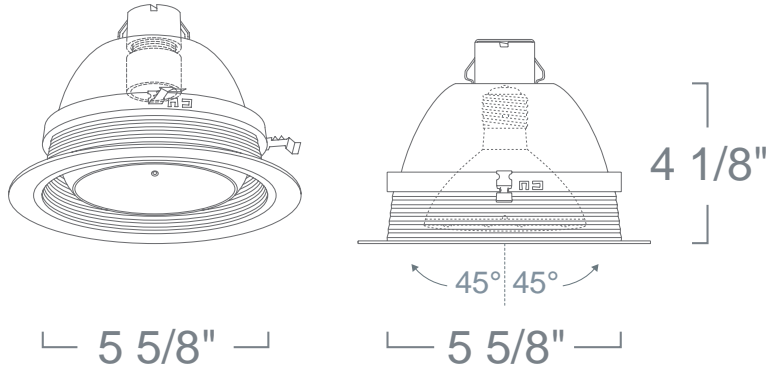


### PROJECT INFORMATION

Type :

Project :

Catalog # :



### FEATURE(S):



### SPECIFICATION

120V 75W Max PAR30 MED E26

**Application:** Accent lighting and wall-washing are the two applications for which eyeballs are commonly used. They can be aimed and adjusted to focus on specific objects or areas. These **eyeball** trim fixtures provide flexibility and versatility by doubling as both a downlight and as an accent light. They are an economic way to provide general and accent lighting with both vertical and horizontal aiming capabilities. Their large degrees of rotation result in both visual style and practical ergonomics.

**Regressed** eyeball design conveniently helps shield lamp glare from surrounding environment.

**Mounting** Steel pressure springs mounted on trim to ensure positive retention inside housing.

**Adjustability** Lamp can be tilted 45° degrees vertically and rotated 358° degrees horizontally.

**Baffle & Eyeball Finish \***: Die-Formed Construction Available in White, Black, All Natural, All Copper and All Mocha.

**Ring Finish:** Die-Formed Aluminum Trim Ring Available in White, Black, Natural, Copper and Mocha.

**Label:** U.L. Listed, E.T.L. Listed

### COMPATIBILITY

 <b>LH27</b> STANDARD SHALLOW HOUSING	 <b>LH27R</b> REMODEL SHALLOW HOUSING	 <b>LH7</b> STANDARD HOUSING
 <b>LH7IC</b> 100W IC HOUSING ( )	 <b>LH7R</b> REMODEL HOUSING	

Note: Wattage limitations on compatible items must be met.

### ORDERING

ORDERING EXAMPLE : LR38W

LR38	BAFFLE & EYEBALL FINISH *	RING FINISH
LR38	<b>W</b> :White	<b>Blank</b> :White
	<b>B</b> :Black	<b>B</b> :Black
	<b>N</b> :All Natural	<b>N</b> :Natural
	<b>CO</b> :All Copper	<b>CO</b> :Copper
	<b>MO</b> :All Mocha	<b>MO</b> :Mocha

\* Finishes designated with "ALL" prior to the finish color come standard with a matching ring finish. Use "W" for White Ring.