



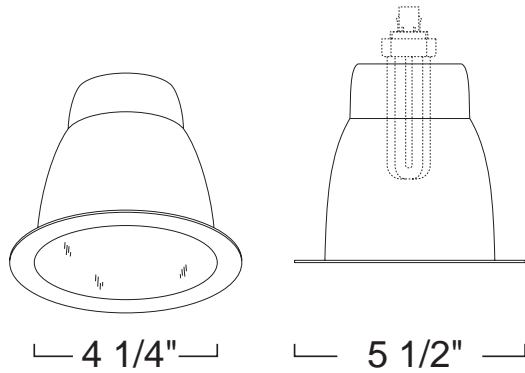
Type :

Project :

Catalog # :

LR401 - SELF-FLANGED HIZAK REFLECTOR

4" ARCHITECTURAL VERTICAL COMPACT FLUORESCENT TRIMS



FEATURE(S):



SPECIFICATION

CFL 32W Max TTT
18W DTT

Application: Architectural-grade recessed downlight reflector for low to medium height ceilings in commercial and architectural installations. Reflector designed for minimal glare from lamp without sacrificing lumen output.

Construction: One piece self-flanged design enables a clean trim finish, without the need for a secondary trim ring. Heavy-gauge aluminum reflector prevents ugly dents during shipping and installation. Iridescent-free reflective coating minimizes unsightly rainbow effect.

Mounting: Pre-punched key holes allow mounting of socket cap assembly for housing, with vertically adjustable socket cap. Reflector held in place with 6 steel pressure springs mounted on housing frame.

Covered by a 3 Year Warranty to be free of defects in materials and craftsmanship.

Reflector / Flange Finish: One piece spun low-iridescent aluminum reflector with seem less self-flanged ring Available in White Reflector/White Flange, Clear Reflector/White Flange, Satin Reflector/White Flange, Clear Reflector/White Ring and Mocha Reflector/Mocha Flange.

Label: E.T.L. Listed

Assembled in U.S.A.

COMPATIBILITY



LVH41
4" ARCHITECTURAL
HOUSING
(ELECTRONIC)

Note: Wattage limitations on compatible items must be met.

ORDERING

ORDERING EXAMPLE : LR401MOMOF

LR401	REFLECTOR / FLANGE FINISH
LR401	WWF :White Reflector/White Flange
	CWF :Clear Reflector/White Flange
	SWF :Satin Reflector/White Flange
	C :Clear Reflector/White Ring
	MOMOF :Mocha Reflector/Mocha Flange