

LR404 - BAFFLE W/ LENS

4" ARCHITECTURAL VERTICAL COMPACT FLUORESCENT TRIMS

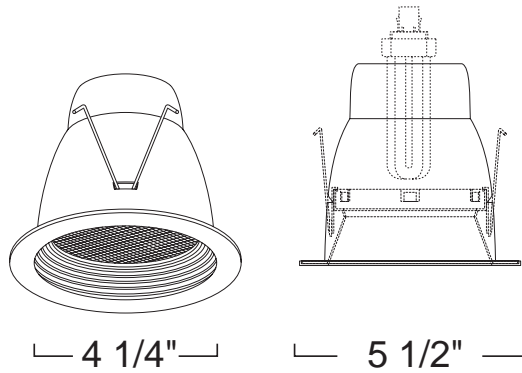


PROJECT INFORMATION

Type :

Project :

Catalog # :



FEATURE(S):



SPECIFICATION

CFL 26W Max TTT
13W DTT

Application: Architectural-grade recessed downlight reflector for low to medium height ceilings for commercial and architectural installations. Reflector designed for minimal glare from lamp without sacrificing lumen output. Regressed tempered glass lens allows for special control of light output. Protects lamp while reducing lamp image.

Mounting: Pre-punched key holes allow mounting of socket cap assembly for housing, with vertically adjustable socket cap. Reflector held in place with 6 steel pressure springs mounted on housing frame.

Covered by a 3 Year Warranty to be free of defects in materials and craftsmanship.

Baffle / Ring Finish: One piece low-iridescent aluminum spun reflector with seem less self-flanged ring and an integrally formed baffle in lower part of reflector to reduce glare and stray light Available in White Baffle/White Flange, Black Baffle/White Flange, Mocha Baffle/Mocha Flange and Natural Baffle/Natural Flange.

Lens Type: Tempered glass lens to protect lamp and control light output Available in Prismatic Lens, Albalite, Center-Frost™, Clear, Fresnel and Frosted.

Label: U.L. Listed, E.T.L. Listed

Assembled in U.S.A.

COMPATIBILITY



LVH41
4" ARCHITECTURAL
HOUSING
(ELECTRONIC)

Note: Wattage limitations on compatible items must be met.

ORDERING

ORDERING EXAMPLE : LR404MOMOF-FR-WL

LR404	BAFFLE / RING FINISH	LENS TYPE	RATING
LR404	WWF :White Baffle/White Flange	Blank :Prismatic Lens	Blank :Damp
	BWF :Black Baffle/White Flange	-AL :Albalite	-WL :Wet
	MOMOF :Mocha Baffle/Mocha Flange	-CF :Center-Frost™	
	NNF :Natural Baffle/Natural Flange	-CL :Clear	
		-FL :Fresnel	
		-FR :Frosted	