

LR40 - OPEN TRIM 6" LINE VOLTAGE TRIMS

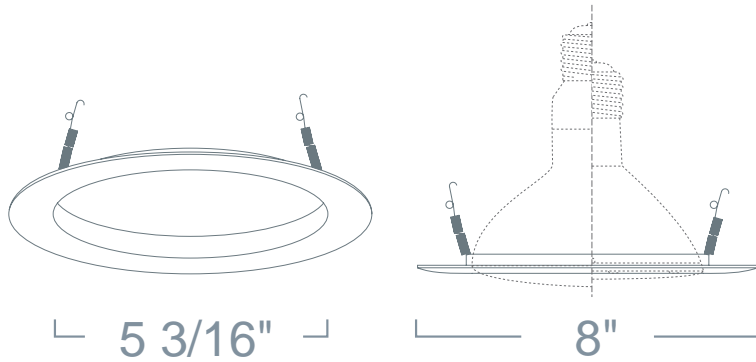


PROJECT INFORMATION

Type :

Project :

Catalog # :



FEATURE(S):



SPECIFICATION

120V 150W Max PAR38/R40 MED E26

Application: Open style downlights allow for maximum light output. The 100% lumen efficiency ensures no light leakage or lumen loss inside the trim or housing. The lamp is situated at the surface of the ceiling in order to get a maximum lumen output. Their simple design also allows for a budget friendly initial cost while ensuring that none of the light from the lamp is lost.

Mounting Steel pressure springs mounted on trim to ensure positive retention inside housing.

Ring Finish: Die-Formed Aluminum Trim Ring Available in White and Clear.

Label: U.L. Listed, E.T.L. Listed

COMPATIBILITY

 LH27 STANDARD SHALLOW HOUSING	 LH27R REMODEL SHALLOW HOUSING	 LH7 STANDARD HOUSING
 LH7IC 100W IC HOUSING ()	 LH7R REMODEL HOUSING	

Note: Wattage limitations on compatible items must be met.

ORDERING

ORDERING EXAMPLE : LR40C

LR40 | **RING FINISH**

LR40 **W** :White
C :Clear