

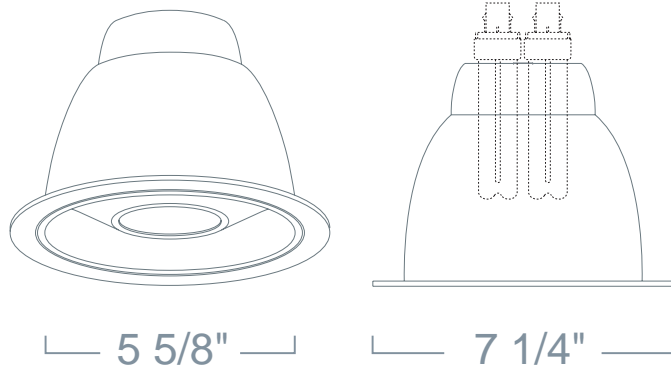
Type :

Project :

Catalog # :

LR449 - DECO GLASS OPEN DOME REFLECTOR

6" COMPACT FLUORESCENT TRIMS - LH276-2 SERIES



FEATURE(S):



SPECIFICATION

CFL (2) 18W Max DTT
TTT

Application: Decorative glass trims add a unique architectural dimension to your lighting design. These attractive glass trims that emit a warm and glowing illumination are available in various colors. Each glass trim and color combination will create an artful illumination that compliments any interior environment.

Mounting Steel pressure springs mounted on trim to ensure positive retention inside housing.

Reflector Finish: Spun Aluminum Reflector Available in White, Black, Clear, Gold and Satin Haze.

Ring Finish: Die-Formed Aluminum Trim Ring Available in White, Black, Gold, Natural and Mocha.

Glass: Quality tempered glass adds a decorative element. Available in Amber, Blue and Frosted.

Label: U.L. Listed, E.T.L. Listed

Limitation: Not for use w/Shallow Housings.

COMPATIBILITY



LH276

STANDARD HOUSING
2-LAMP



LH276R

REMODEL HOUSING 2-
LAMP

Note: Wattage limitations on compatible items must be met.

ORDERING

ORDERING EXAMPLE : LR449W-AM

LR449	REFLECTOR FINISH	RING FINISH	GLASS
LR449	W :White	Blank :White	-AM :Amber
	B :Black	B :Black	-BL :Blue
	C :Clear	G :Gold	-FR :Frosted
	G :Gold	N :Natural	
	S :Satin Haze	MO :Mocha	