

LR479 - ADJUSTABLE BAFFLE

6" LINE VOLTAGE TRIMS

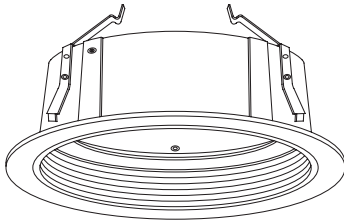


PROJECT INFORMATION

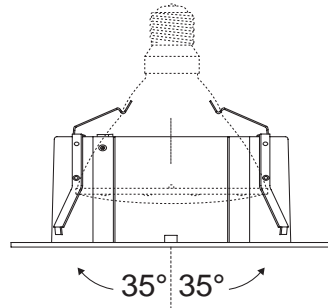
Type :

Project :

Catalog # :



5 3/4"



7 3/8"

FEATURE(S):



SPECIFICATION

120V 150W Max PAR38 MED E26

Application: The standard in residential adjustable illumination, the gimbal design provides flexibility and versatility from a single rotary axis. It doubles as both a downlight and as an accent light. They are an economic way to provide general and accent lighting with both vertical and horizontal aiming capabilities. Their large degrees of rotation result in both streamlined style and practical ergonomics.

PAR38 gimbals offer higher wattages accenting object far away objects.

Regressed gimbal design conveniently helps shield lamp glare from surrounding environments.

Mounting Steel pressure springs mounted on trim to ensure positive retention inside housing.

Adjustability Lamp can be tilted 35° degrees vertically and rotated 358° degrees horizontally.

Baffle Finish *: Die-formed aluminum baffle ridges eliminate stray light. Available in White, Black, All Natural and All Copper.

Ring Finish: Die-Formed Aluminum Trim Ring Available in White, Black, Chrome, Gold, Natural, Copper and Mocha.

Label: U.L. Listed, E.T.L. Listed

Limitation: Not for use w/Shallow Housings.

COMPATIBILITY



LH7

STANDARD HOUSING



LH7IC

100W IC HOUSING ()



LH7R

REMODEL HOUSING

Note: Wattage limitations on compatible items must be met.

ORDERING

ORDERING EXAMPLE : LR479W

LR479	BAFFLE FINISH *	RING FINISH
LR479	W :White	Blank :White
	B :Black	B :Black
	N :All Natural	C :Chrome
	CO :All Copper	G :Gold
		N :Natural
		CO :Copper
		MO :Mocha

* Finishes designated with "ALL" prior to the finish color come standard with a matching ring finish. Use "W" for White Ring.