

LR6067 - PAR20 PULL DOWN 6" ADJUSTABLE H.I.D. DIE-CAST TRIMS

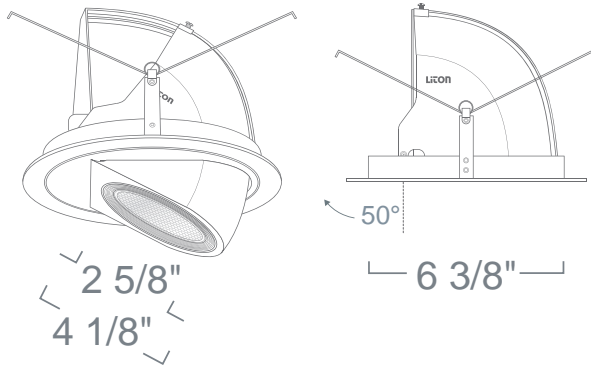


PROJECT INFORMATION

Type :

Project :

Catalog # :



FEATURE(S):



SPECIFICATION

H.I.D. 70W Max PAR20 MED E26

Application: Architectural-grade adjustable recessed trim for commercial and architectural installations with the need to accent objects and illuminate walls to enhance the mood in a room and give a more spacious and dramatic feel. Made of heavy duty die cast construction for rigid and dependable aiming. **Mounting:** Trim held in place with two stainless steel chicken-wing springs for a tight comfortable fit and easy access to housing for lamp and electrical maintenance.

Socket: Pulse-Rated 4KV, standard porcelain medium screw base socket with high temperature leads and nickel-plated contacts.

Covered by a 3 Year Warranty to be free of defects in materials and craftsmanship.

Adjustability Lamp can be tilted 50° degrees vertically and rotated 358° degrees horizontally.

Finish *: Available in Powder Coat White, Powder Coat Black * and Satin Gray *.

Label: E.T.L. Listed

Assembled in U.S.A.

COMPATIBILITY



LHBM6

6" MINI-ARC HOUSING

Note: Wattage limitations on compatible items must be met.

ORDERING

ORDERING EXAMPLE : LR6067W

LR6067

FINISH *

LR6067

W : Powder Coat White

B : Powder Coat Black *

N : Satin Gray *

* Special Order Item. Consult Factory