



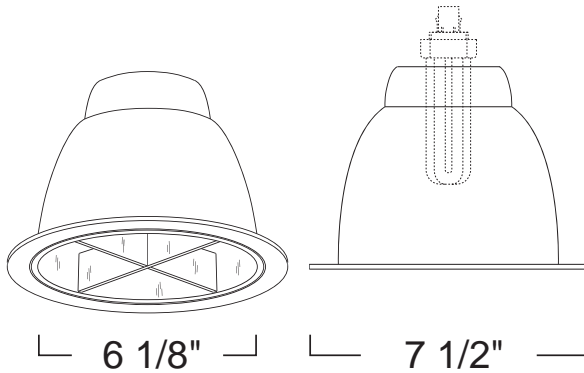
Type :

Project :

Catalog # :

LR606 - CROSS BLADE REFLECTOR

6" COMMERCIAL VERTICAL COMPACT FLUORESCENT TRIMS



FEATURE(S):



SPECIFICATION

CFL 42W TTT
26W DTT

Application: Architectural-grade recessed downlight reflector for low to medium height ceilings in commercial and architectural installations. Reflector designed for minimal glare from lamp without sacrificing lumen output.

Mounting: Pre-punched key holes allow mounting of socket cap assembly for housing, with vertically adjustable socket cap. Reflector held in place with 6 steel pressure springs mounted on housing frame.

Covered by a 3 Year Warranty to be free of defects in materials and craftsmanship.

Reflector Finish: One piece spun low-iridescent aluminum reflector with seem less self-flanged ring Available in Clear Reflector/Clear Flange, Clear Reflector/White Flange and Satin Reflector/Satin Flange.

Label: U.L. Listed, E.T.L. Listed

Assembled in U.S.A.

COMPATIBILITY



LVH6
6" LIGHT COMMERCIAL HOUSING (ELECTRONIC)



LVH6I
ARCHITECTURAL HOUSING (IC)



LVH6I
ARCHITECTURAL HOUSING (NON-IC)



LVH6RI
6" REMODEL ARCHITECTURAL HOUSING (NON-IC)

Note: Wattage limitations on compatible items must be met.

ORDERING

ORDERING EXAMPLE : LR606CWF

LR606	REFLECTOR FINISH
LR606	CCF :Clear Reflector/Clear Flange
	CWF :Clear Reflector/White Flange
	SSF :Satin Reflector/Satin Flange