

LR6277 - T4.5 PULL DOWN 6" ADJUSTABLE H.I.D. DIE-CAST TRIMS

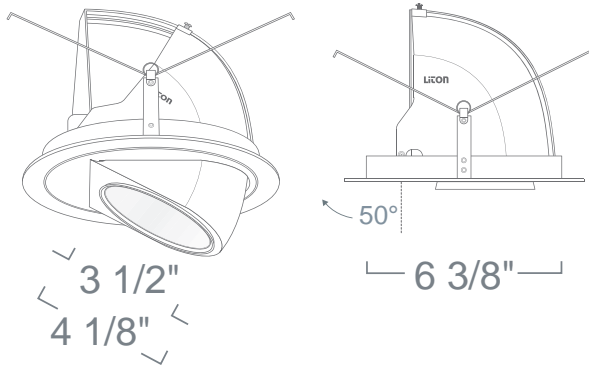


PROJECT INFORMATION

Type :

Project :

Catalog # :



FEATURE(S):



SPECIFICATION

H.I.D. 70W Max T4.5 G8.5

Application: Architectural-grade adjustable recessed trim for commercial and architectural installations with the need to accent objects and illuminate walls to enhance the mood in a room and give a more spacious and dramatic feel. Made of heavy duty die cast construction for rigid and dependable aiming. **Mounting:** Trim held in place with two stainless steel chicken-wing springs for a tight comfortable fit and easy access to housing for lamp and electrical maintenance.

Socket: Pulse-Rated 4KV, porcelain bi-bin G8.5 socket with high temperature leads and nickel-plated contacts.

Covered by a 3 Year Warranty to be free of defects in materials and craftsmanship.

Adjustability Lamp can be tilted 50° degrees vertically and rotated 358° degrees horizontally.

Beam Angle *: Available in Medium- 23 Degree, Narrow -15 Degree and Wide- 32 Degree.

Trim Finish: Available in Powder Coat White *, Powder Coat Black * and Satin Gray.

Label: E.T.L. Listed

Assembled in U.S.A.

COMPATIBILITY



LHBM6

6" MINI-ARC HOUSING

Note: Wattage limitations on compatible items must be met.

ORDERING

ORDERING EXAMPLE : LR6277-15N

LR6277	BEAM ANGLE *	TRIM FINISH
LR6277	-15:Narrow -15 Degree	W :Powder Coat White *
	-23:Medium- 23 Degree	B :Powder Coat Black *
	-32:Wide- 32 Degree	N :Satin Gray

* Special Order Item. Consult Factory