



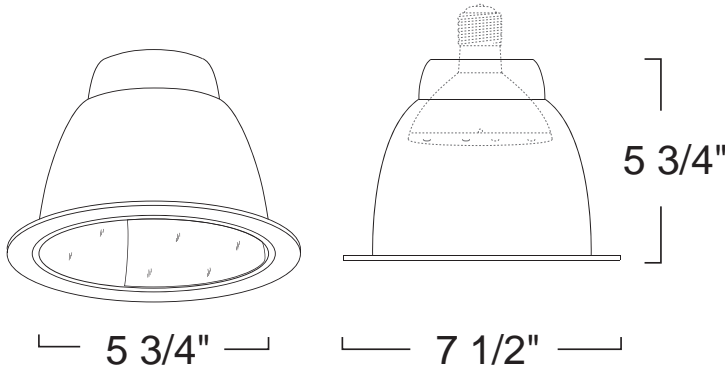
PROJECT INFORMATION

Type :

Project :

Catalog # :

LR717 - OPEN REFLECTOR WALL WASH LHM77 SERIES - 6" LIGHT COMMERCIAL H.I.D. TRIMS



FEATURE(S):



SPECIFICATION

H.I.D. 100W PAR30/ ED17 MED E26

Application: Light commercial recessed downlight trim for medium to high ceilings for commercial and high-end residential environments installations. Reflector designed for minimal glare from lamp without sacrificing lumen output. Provides wall wash illumination along the vertical surface for lighting signage or to emphasize wall textures. Proper illumination of walls enhances the mood in a room and gives a more spacious feel.

Mounting: Pre-punched key holes allow mounting of socket cap assembly for housing, with vertically adjustable socket cap. Reflector held in place with 6 steel pressure springs mounted on housing frame.

Finish: Available in Clear and Satin Haze.

Ring Finish: Only available in White.

Label: U.L. Listed, E.T.L. Listed

COMPATIBILITY



LHM77

LIGHT COMMERCIAL HOUSING

Note: Wattage limitations on compatible items must be met.

ORDERING

ORDERING EXAMPLE : LR717C

LR717	FINISH	RING FINISH
LR717	C :Clear S :Satin Haze	Blank:White