

LR718 - CROSS BLADE REFLECTOR

LHM77 SERIES - 6" LIGHT COMMERCIAL H.I.D. TRIMS

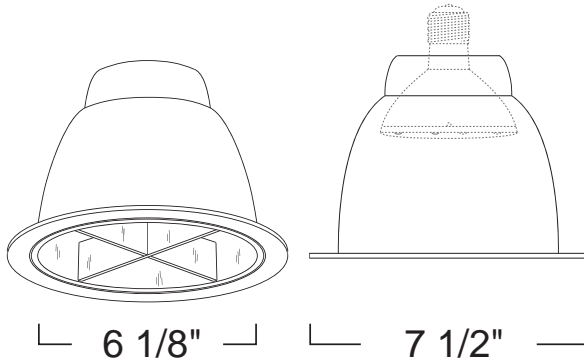


PROJECT INFORMATION

Type :

Project :

Catalog # :



FEATURE(S):



SPECIFICATION

H.I.D. 100W PAR30/ ED17 MED E26

Application: Architectural-grade recessed downlight reflector for low to medium height ceilings in commercial and architectural installations. Reflector designed for minimal glare from lamp without sacrificing lumen output.

Mounting: Pre-punched key holes allow mounting of socket cap assembly for housing, with vertically adjustable socket cap. Reflector held in place with 6 steel pressure springs mounted on housing frame.

Covered by a 3 Year Warranty to be free of defects in materials and craftsmanship.

Reflector Finish: One piece spun low-iridescent aluminum reflector with seem less self-flanged ring Available in Clear and Satin Haze.

Ring Finish: Available in White, Black and Natural.

Label: U.L. Listed, E.T.L. Listed

Assembled in U.S.A.

COMPATIBILITY

 LHM7 ARCHITECTURAL HOUSING (ELECTRONIC)	 LHM7 ARCHITECTURAL HOUSING (MAGNETIC)	 LHM77 LIGHT COMMERCIAL HOUSING
 LHM7R REMODEL ARCHITECTURAL HOUSING	 LHS7 HIGH PRESURE SODIUM ARCHITECTURAL	

Note: Wattage limitations on compatible items must be met.

ORDERING

ORDERING EXAMPLE : LR718C

LR718	REFLECTOR FINISH	RING FINISH
LR718	C :Clear	Blank :White
	S :Satin Haze	B :Black
		N :Natural