

LR801 - REFLECTOR

LVH8 SERIES - 8" LIGHT COMMERCIAL CFL TRIMS

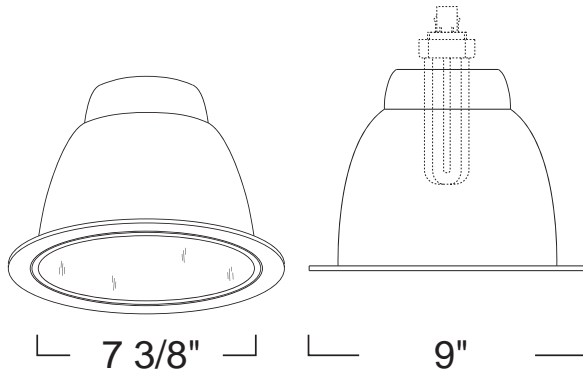


PROJECT INFORMATION

Type :

Project :

Catalog # :



FEATURE(S):



SPECIFICATION

CFL 70W Max TTT
26W DTT

Application: Light commercial recessed downlight housing for medium to high ceilings for commercial and high-end residential installations. A variety of compatible trim styles and finishes are available to achieve the proper illumination.

Mounting: Pre-punched key holes allow mounting of socket cap assembly for housing, with vertically adjustable socket cap. Reflector held in place with 6 steel pressure springs mounted on housing frame.

Reflector Finish: Available in White, Clear, Gold and Satin.

Ring Finish: Only available in White.

Label: U.L. Listed, E.T.L. Listed

COMPATIBILITY



LVH81

6" ARCHITECTURAL IC HOUSING (IC)



LVH81

8" ARCHITECTURAL HOUSING (NON-IC)



LVH81

8" REMODEL ARCH. HOUSING (NON-IC)

Note: Wattage limitations on compatible items must be met.

ORDERING

ORDERING EXAMPLE : LR801G

LR801	REFLECTOR FINISH	RING FINISH
LR801	W :White	Blank :White
	C :Clear	
	G :Gold	
	S :Satin	