

## LR806 - CROSS BLADE REFLECTOR

### LVH8 SERIES - 8" LIGHT COMMERCIAL CFL TRIMS

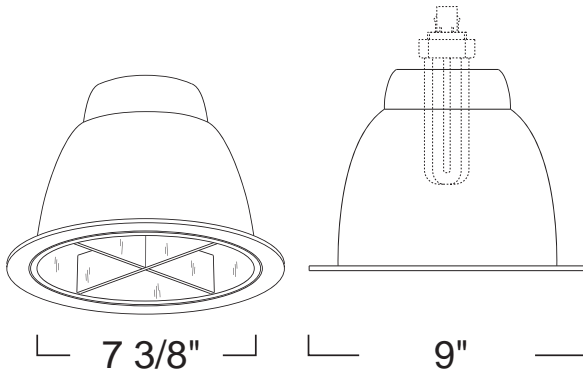


### PROJECT INFORMATION

Type :

Project :

Catalog # :



### FEATURE(S):



### SPECIFICATION

CFL 70W Max TTT  
26W DTT

**Application:** Light commercial recessed downlight housing for medium to high ceilings for commercial and high-end residential installations. A variety of compatible trim styles and finishes are available to achieve the proper illumination.

**Mounting:** Pre-punched key holes allow mounting of socket cap assembly for housing, with vertically adjustable socket cap. Reflector held in place with 6 steel pressure springs mounted on housing frame.

**Reflector Finish:** Available in Clear and Satin Haze.

**Ring Finish:** Only available in White.

**Label:** U.L. Listed, E.T.L. Listed

### COMPATIBILITY



LVH81

6" ARCHITECTURAL IC HOUSING (IC)



LVH81

8" ARCHITECTURAL HOUSING (NON-IC)



LVH8R1

8" REMODEL ARCH. HOUSING (NON-IC)

Note: Wattage limitations on compatible items must be met.

### ORDERING

ORDERING EXAMPLE : LR806C

LR806	REFLECTOR FINISH	RING FINISH
LR806	<b>C</b> :Clear <b>S</b> :Satin Haze	<b>Blank</b> :White