

## LR818 - CROSS BLADE REFLECTOR

LHM88 SERIES - 8" LIGHT COMMERCIAL H.I.D. TRIMS

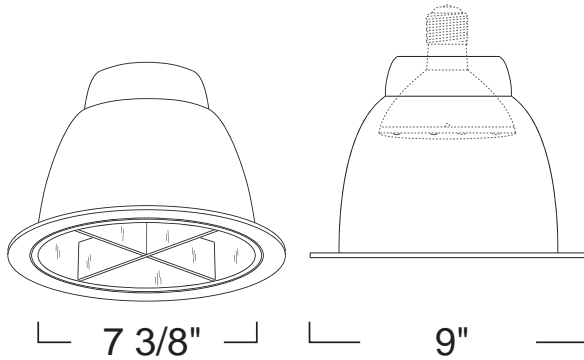


### PROJECT INFORMATION

Type :

Project :

Catalog # :



### FEATURE(S):



### SPECIFICATION

H.I.D. 150W PAR38/ ED17 MED BASE

**Application:** Architectural-grade recessed downlight reflector in high ceilings for commercial and architectural installations. Reflector designed for minimal glare from lamp without sacrificing lumen output.

**Mounting:** Pre-punched key holes allow mounting of socket cap assembly for housing, with vertically adjustable socket cap. Reflector held in place with 6 steel pressure springs mounted on housing frame.

Covered by a 3 Year Warranty to be free of defects in materials and craftsmanship.

**Reflector Finish:** One piece spun low-iridescent aluminum reflector with seem less self-flanged ring Available in Clear and Satin Haze.

**Ring Finish:** Only available in White.

**Label:** U.L. Listed, E.T.L. Listed

Assembled in U.S.A.

### COMPATIBILITY



LHM88

LIGHT COMMERCIAL HOUSING

Note: Wattage limitations on compatible items must be met.

### ORDERING

ORDERING EXAMPLE : LR818C

LR818	REFLECTOR FINISH	RING FINISH
LR818	<b>C</b> :Clear <b>S</b> :Satin Haze	<b>Blank</b> :White