

LR868 - CROSS BLADE REFLECTOR

LF82 SERIES - 8" LIGHT COMMERCIAL CFL HORIZONTAL TRIMS

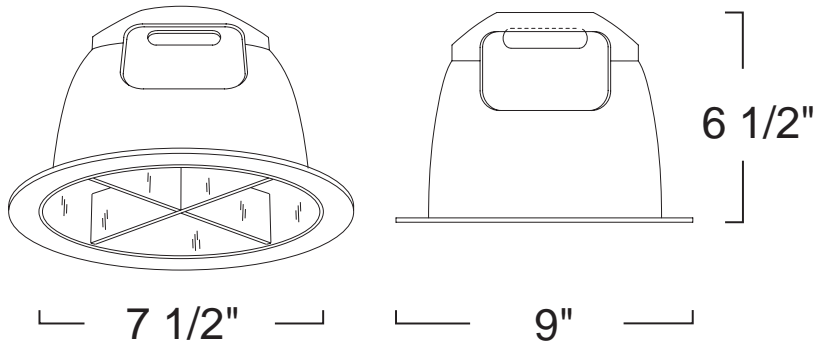


PROJECT INFORMATION

Type :

Project :

Catalog # :



FEATURE(S):



SPECIFICATION

CFL (2) 42W DTT

Application: Light commercial recessed downlight housing for medium to high ceilings for commercial and high-end residential installations. A variety of compatible trim styles and finishes are available to achieve the proper illumination.

Mounting: Pre-punched key holes allow mounting of socket cap assembly for housing, with vertically adjustable socket cap. Reflector held in place with 6 steel pressure springs mounted on housing frame.

Reflector Finish: Available in White, Clear and Satin Haze.

Ring Finish: Only available in White.

Label: U.L. Listed, E.T.L. Listed

COMPATIBILITY

 LF82 2-LAMP HOUSING	 LFH8 ARCHITECTURAL HOUSING (1-LAMP)	 LFH8 ARCHITECTURAL HOUSING (2-LAMP)
 LFH82 IC HOUSING (2-LAMP)	 LFH8R 8" REMODEL ARCHITECTURAL HOUSING (1-LAMP)	 LFH8R 8" REMODEL ARCHITECTURAL HOUSING (2-LAMP)

Note: Wattage limitations on compatible items must be met.

ORDERING

ORDERING EXAMPLE : LR868W

LR868	REFLECTOR FINISH	RING FINISH
LR868	W :White C :Clear S :Satin Haze	Blank :White