



PROJECT INFORMATION

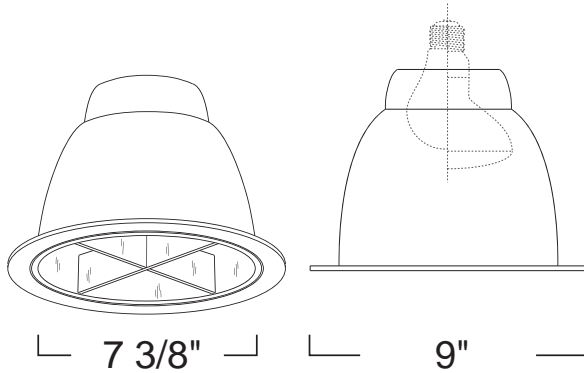
Type :

Project :

Catalog # :

LR878 - CROSS BLADE REFLECTOR

LH880 SERIES - 8" LIGHT COMMERCIAL INCANDESCENT TRIMS



FEATURE(S):



SPECIFICATION

120V 200W PAR38/A19 MED E26

Application: Architectural-grade recessed downlight reflector in high ceilings for commercial and architectural installations. Reflector designed for minimal glare from lamp without sacrificing lumen output.

Mounting: Pre-punched key holes allow mounting of socket cap assembly for housing, with vertically adjustable socket cap. Reflector held in place with 6 steel pressure springs mounted on housing frame.

Covered by a 3 Year Warranty to be free of defects in materials and craftsmanship.

Reflector Finish: One piece spun low-iridescent aluminum reflector with seem less self-flanged ring Available in Clear Reflector/Clear Finish, Clear Reflector/Natural Flange, Clear Reflector/White Finish, Satin Haze Reflector/Satin Haze Flange and White Reflector/White Flange.

Label: U.L. Listed, E.T.L. Listed

Assembled in U.S.A.

COMPATIBILITY



LH880

LIGHT COMMERCIAL HOUSING

Note: Wattage limitations on compatible items must be met.

ORDERING

ORDERING EXAMPLE : LR878SSF

LR878

REFLECTOR FINISH

LR878

CCF :Clear Reflector/Clear Finish

CNF :Clear Reflector/Natural Flange

CWF :Clear Reflector/White Finish

SSF :Satin Haze Reflector/Satin Haze Flange

WWF :White Reflector/White Flange