

LR889 - WALL WASH W/ PRISMATIC LENS LF82 SERIES - 8" LIGHT COMMERCIAL CFL HORIZONTAL TRIMS

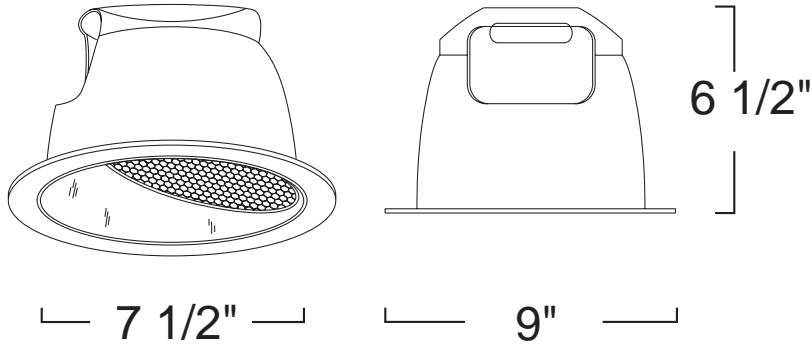


PROJECT INFORMATION

Type :

Project :

Catalog # :



FEATURE(S):



SPECIFICATION

CFL (2) 26W DTT
(2) 42W TTT

Application: Architectural-grade recessed downlight reflector for high ceilings in commercial and architectural installations. Reflector designed for minimal glare from lamp without sacrificing lumen output. Provides wall wash illumination along the vertical surface for lighting signage or to emphasize wall textures. Proper illumination of walls enhances the mood in a room and gives a more spacious feel.

Mounting: Pre-punched key holes allow mounting of socket cap assembly for housing, with vertically adjustable socket cap. Reflector held in place with 6 steel pressure springs mounted on housing frame.

Covered by a 3 Year Warranty to be free of defects in materials and craftsmanship.

Reflector Finish: One piece spun low-iridescent aluminum reflector with seem less self-flanged ring Available in White, Black, Clear, Gold and Satin Haze.

Ring Finish: Only available in White.

Label: U.L. Listed, E.T.L. Listed

Assembled in U.S.A.

COMPATIBILITY



LF82

2-LAMP HOUSING

Note: Wattage limitations on compatible items must be met.

ORDERING

ORDERING EXAMPLE : LR889W

LR889	REFLECTOR FINISH	RING FINISH
LR889	W :White	Blank :White
	B :Black	
	C :Clear	
	G :Gold	
	S :Satin Haze	