

LRA42 - PRISMATIC GLASS LENS W/ REFLECTOR 6" H.I.D. DOWNLIGHT

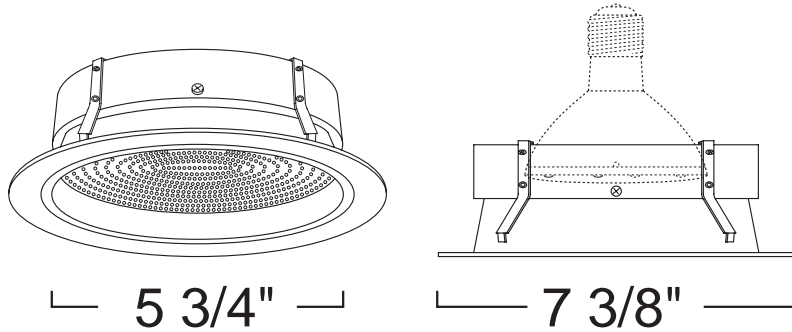


PROJECT INFORMATION

Type :

Project :

Catalog # :



FEATURE(S):



SPECIFICATION

H.I.D PAR30 MED E26

Application: Use these fully lensed downlights to protect the light source from harsh environments. The integral lens design shields the housing and lamp from corrosive and damaging environments like spas, as well as maintaining safety in food service areas like restaurants & residential kitchens.

Mounting Steel pressure springs mounted on trim to ensure positive retention inside housing.

Reflector Finish: Spun Aluminum Reflector Available in White, Black, Clear, Gold and Satin Haze.

Ring Finish: Die-Formed Aluminum Trim Ring Available in White, Black, Chrome, Gold, Natural and Mocha.

Label: U.L. Listed, E.T.L. Listed

Limitation: Not for use w/Shallow Housings.

COMPATIBILITY



LH7MH

STANDARD HID HOUSING



LH7MHR

REMODEL HID HOUSING

Note: Wattage limitations on compatible items must be met.

ORDERING

ORDERING EXAMPLE : LRA42W-WL

LRA42	REFLECTOR FINISH	RING FINISH	RATING
LRA42	W :White	Blank :White	Blank :Damp Location
	B :Black	B :Black	-WL :Wet Location
	C :Clear	C :Chrome	
	G :Gold	G :Gold	
	S :Satin Haze	N :Natural	
		MO :Mocha	