

LRH40 - REMOTE HOUSING

4" LOW VOLTAGE HOUSINGS

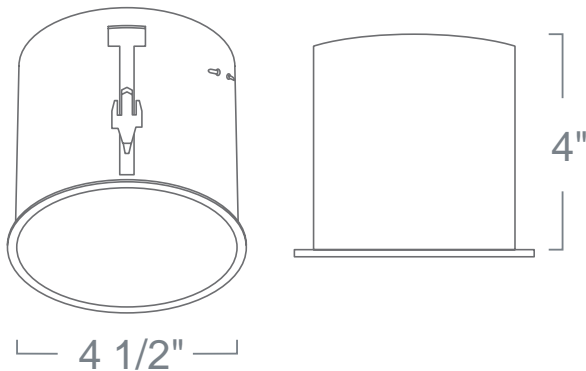


PROJECT INFORMATION

Type :

Project :

Catalog # :



FEATURE(S):



SPECIFICATION

Ceiling cut-out: 4 1/2"

12V 50W Max MR16 GU5.3

Application: General purpose recessed downlight housing for low to medium height ceilings for residential and light commercial applications. A variety of trims, compatible styles and finishes are available to achieve the desired décor and illumination.

Housing: Pre-wired housing adjusts up to 1 1/4" ceiling thickness. Housing provides an adjustable socket plate which allows for use of different lamp types. Trim is secured with torsion wing springs.

Socket: 2-pin porcelain socket with aluminum heat sink plate. Lamp clips to trim to ensure proper and consistent positioning.

Insulation Contact: Non IC rated housing must be kept 3" from insulation.

Safety Labels: ETL/CETL listed. Suitable for damp locations. NYC approved: Calendar #41937.

Finish: Only available in White.

Label: E.T.L. Listed

COMPATIBILITY

 LR1400 DECO GLASS (CONE)	 LR1420 ADJUSTABLE SLOT	 LR1421 REFLECTOR
 LR1430 WALL WASH REFLECTOR	 LR1431 DECO SHIELD REFLECTOR	 LR1433 DECO SHIELD BAFFLE
 LR1435 ADJUSTABLE SPOT	 LR1444 NARROW APERTURE REFLECTOR	 LR1445 WALL WASH REFLECTOR EYELID
 LR1450 DECO GLASS PANEL	 LR1462 DECO GLASS PANEL	 LR1463 DECO GLASS (OPEN CONE)
 LR1466 ADJUSTABLE GIMBAL	 LR1468 MULTI ACCESSORY PULL DOWN	 LR1471 ADJUSTABLE WALL WASH REFLECTOR

Please see website for more compatible items.

Note: Wattage limitations on compatible items must be met.

ORDERING

ORDERING EXAMPLE : LRH40

LRH40	FINISH	ACCESSORIES
LRH40	Blank: White	/LBLE20 :20W Derating /LBLE35 :35W Derating