

LRLD421 - DEEP L.E.D. REFLECTOR

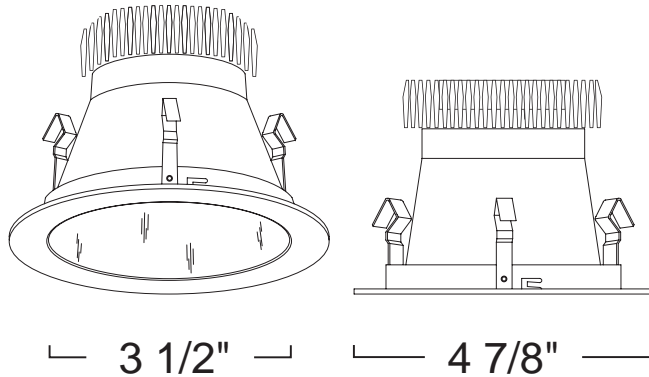
4" L.E.D. TRIM

PROJECT INFORMATION

Type :

Project :

Catalog # :



FEATURE(S):



SPECIFICATION

L.E.D. 10W

Gasket: Supplied with gasket to prevent light leakage and unsightly heat streaks on ceiling surface.

Power Connection: LED heat sinked lamp module is replaceable via on board quick disconnect terminal. No tools required.

Thermal Management: Heat dissipation facilitated by integral aluminum heat sink to maximize heat rejection.

Warranty: Covered by a 3 Year Warranty to be free of defects in materials and craftsmanship.

Reflector Finish: Available in White, Clear and Satin Haze.

Ring Finish: Available in White, Black and Natural.

Beam Spread: Available in Flood, Spot and Wide Flood.

Accessories: Lamp included in packaging.

Limitation: Not for use w/Shallow Housings.

Assembled in U.S.A.

COMPATIBILITY



LHL4

4" STANDARD L.E.D. HOUSING



LHL4IC

4" IC DOUBLE WALL L.E.D. HOUSING



LHL4R

4" REMODEL L.E.D. HOUSING

L.E.D. Details:

10W 413 + Lumens Delivered

Color Rendering Index (CRI): 80

Color Temperature: 3,000K or 4,000K

Estimated Life: 40,000 hr. L70

Lamp Equivalents: 50W MR16, PAR20, PAR30, 75W A19

Note: Wattage limitations on compatible items must be met.

ORDERING

ORDERING EXAMPLE : LRLD421W-B60

LRLD421	REFLECTOR FINISH	RING FINISH	BEAM SPREAD
LRLD421	W :White	Blank :White	-B25 :Spot
	C :Clear	B :Black	-B45 :Flood
	S :Satin Haze	N :Natural	-B60 :Wide Flood