

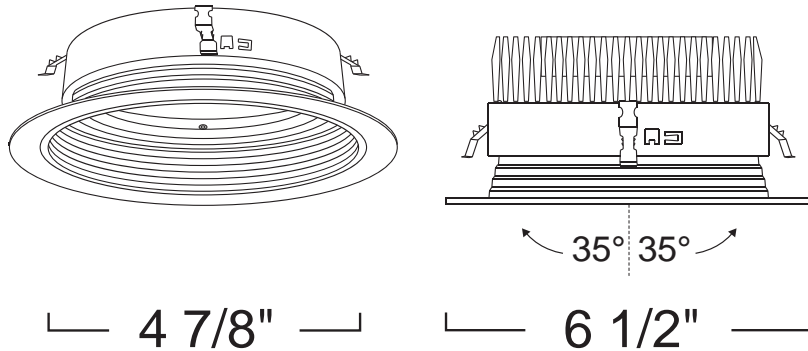
LRLD578 - ADJUSTABLE REGRESSED L.E.D. GIMBAL 5" L.E.D. TRIMS

PROJECT INFORMATION

Type :

Project :

Catalog # :



FEATURE(S):



SPECIFICATION

L.E.D. 10W

Application: Standard in residential adjustable illumination, these **gimbal** style trims provide flexibility and versatility from a single rotary axis.

They double as both a downlight and as an accent light. They are an economic way to provide general and accent lighting with both vertical and horizontal aiming capabilities. Their large degrees of rotation result in both streamlined style and practical ergonomics. PAR lamp gimbals offer a small opening aperture, as well as a more controlled light beam for accenting objects. Regressed gimbal design conveniently helps shield lamp glare from surrounding environment.

Power Connection: LED heat sinked lamp module is replaceable via on board quick disconnect terminal. No tools required.

Thermal Management: Heat dissipation facilitated by integral aluminum heat sink to maximize heat rejection.

Mounting Steel pressure springs mounted on trim to ensure positive retention inside housing.

Adjustability Lamp can be tilted 35° degrees vertically and rotated 358° degrees horizontally.

Baffle Finish: Available in All White, All Black, All Natural and All Copper.

Beam Spread: Available in Flood and Narrow Flood.

Accessories: Lamp included in packaging.

Assembled in U.S.A.

COMPATIBILITY



LHLDS

5" IC L.E.D. HOUSING



LHLDSR

5" IC L.E.D. REMODEL HOUSING

L.E.D. Details:

10W 450 + Lumens Delivered
Color Rendering Index (CRI): 80
Color Temperature: 3,000K
Estimated Life: 45,000 hr. L70
Lamp Equivalents: 50W MR16, PAR20, PAR30, 75W A19
15W 650 + Lumens 30,000 hr.

Note: Wattage limitations on compatible items must be met.

ORDERING

ORDERING EXAMPLE : LRLD578W-B45

LRLD578	BAFFLE FINISH	BEAM SPREAD
LRLD578	W :All White	-B25 :Narrow Flood
	BB :All Black	-B45 :Flood
	N :All Natural	
	CO :All Copper	