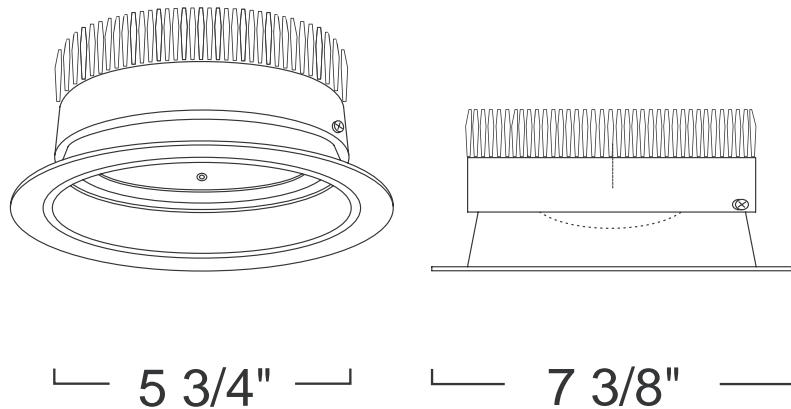


LRLD642 - L.E.D. DECOFROST DOME

6" L.E.D. TRIMS



PROJECT INFORMATION

Type :

Project :

Catalog # :

FEATURE(S):



SPECIFICATION

L.E.D. 10W/15W

Mounting Steel pressure springs mounted on trim to ensure positive retention inside housing.

Power Connection: LED heat sinked lamp module is replaceable via on board quick disconnect terminal. No tools required.

Thermal Management: Heat dissipation facilitated by integral aluminum heat sink to maximize heat rejection.

Warranty: Covered by a 3 Year Warranty to be free of defects in materials and craftsmanship.

Finish: Available in Black Reflector/ White Ring, Clear Reflector/ White Ring and White Reflector/ White Ring.

Assembled in U.S.A.

COMPATIBILITY



LHLD6

6" IC L.E.D. HOUSING



LHLD6R

6" IC REMODEL L.E.D. HOUSING



LSHLD6

6" SHALLOW HOUSING



LSHLD6R

6" REMODEL SHALLOW HOUSING

L.E.D. Details:

10W 350 + Lumens Delivered

Color Rendering Index (CRI): 80

Color Temperature: 3,000K

Estimated Life: 55,000 hr. L70

Lamp Equivalents: 50W MR16, PAR20, PAR30, 75W A19

15W 550 + Lumens Delivered

Color Rendering Index (CRI): 80

Color Temperature: 3,000K

Estimated Life: 45,000 hr. L70

Lamp Equivalents: 75W MR16, PAR30, PAR38, 100W A19

Note: Wattage limitations on compatible items must be met.

ORDERING

ORDERING EXAMPLE : LRLD642W

LRLD642

FINISH

LRLD642

B :Black Reflector/ White Ring

C :Clear Reflector/ White Ring

W :White Reflector/ White Ring