

LRLD677 - OPEN HEAT SINK GIMBAL L.E.D.

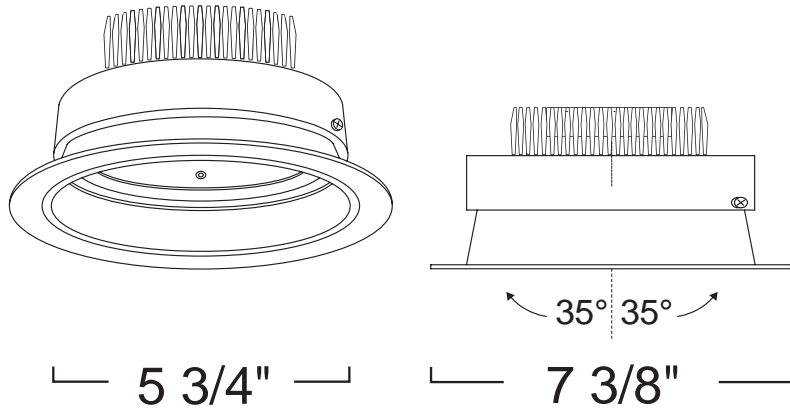
6" L.E.D. TRIMS

PROJECT INFORMATION

Type :

Project :

Catalog # :



FEATURE(S):



SPECIFICATION

L.E.D. 10W/15W

Mounting Steel pressure springs mounted on trim to ensure positive retention inside housing.

Power Connection: LED heat sinked lamp module is replaceable via on board quick disconnect terminal. No tools required.

Thermal Management: Heat dissipation facilitated by integral aluminum heat sink to maximize heat rejection.

Warranty: Covered by a 3 Year Warranty to be free of defects in materials and craftsmanship.

Adjustability Lamp can be tilted 35° degrees vertically and rotated 90° degrees horizontally.

Reflector Finish: Available in White, Black and All Natural.




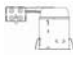
Ring Finish: Available in White, Black, Natural and Mocha.

Beam Spread: Available in Wide Flood, Flood and Narrow Flood.

Accessories: Lamp included in packaging.

Assembled in U.S.A.

COMPATIBILITY

 LHLD6 6" IC L.E.D. HOUSING	 LHLD6R 6" IC REMODEL L.E.D. HOUSING	 LSHLD6 6" SHALLOW HOUSING
 LSHLD6R 6" REMODEL SHALLOW HOUSING		

L.E.D. Details:

10W 450 + Lumens Delivered
Color Rendering Index (CRI): 80
Color Temperature: 3,000K
Estimated Life: 65,000 hr. L70
Lamp Equivalents: 50W MR16, PAR20, PAR30, 75W A19

15W 650 + Lumens Delivered
Color Rendering Index (CRI): 80
Color Temperature: 3,000K
Estimated Life: 50,000 hr. L70
Lamp Equivalents: 75W MR16, PAR30, PAR38, 100W A19

Note: Wattage limitations on compatible items must be met.

ORDERING

ORDERING EXAMPLE : LRLD677NMO-B60

LRLD677	REFLECTOR FINISH	RING FINISH	BEAM SPREAD
LRLD677	W :White	Blank :White	-B60 :Wide Flood
	B :Black	B :Black	-B25 :Narrow Flood
	N :All Natural	N :Natural	-B45 :Flood
		MO :Mocha	