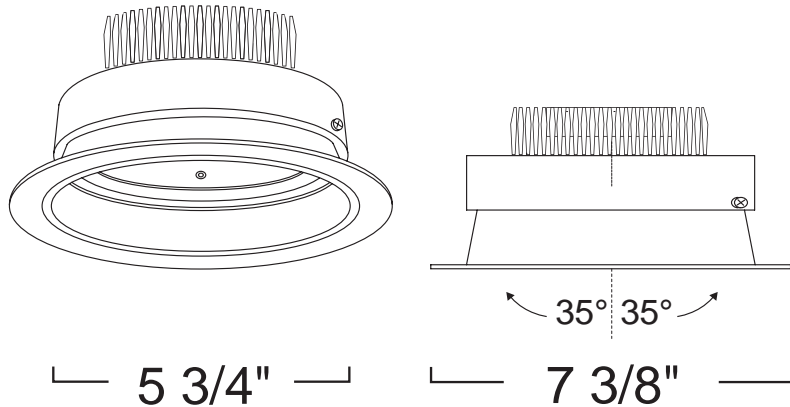


LRLD678 - CONCEALED L.E.D. HEAT SINK GIMBAL L.E.D. 6" L.E.D. TRIMS



PROJECT INFORMATION

Type :

Project :

Catalog # :

FEATURE(S):



SPECIFICATION

L.E.D. 10W/15W

Mounting Steel pressure springs mounted on trim to ensure positive retention inside housing.

Power Connection: LED heat sinked lamp module is replaceable via on board quick disconnect terminal. No tools required.

Thermal Management: Heat dissipation facilitated by integral aluminum heat sink to maximize heat rejection.

Warranty: Covered by a 3 Year Warranty to be free of defects in materials and craftsmanship.

Reflector Finish: Available in White, Black, All Natural and All Copper.

Ring Finish: Available in White, Black, Natural, Copper and Mocha.

Beam Spread: Available in Flood, Narrow Flood and Wide Flood.

Accessories: Lamp included in packaging.

Assembled in U.S.A.

COMPATIBILITY



LHL D6

6" IC L.E.D. HOUSING



LSHLD6

6" SHALLOW HOUSING



LSHLD6R

6" REMODEL SHALLOW HOUSING

L.E.D. Details:

10W 450 + Lumens Delivered
Color Rendering Index (CRI): 80
Color Temperature: 3,000K
Estimated Life: 40,000 hr. L70
Lamp Equivalents: 50W MR16, PAR20, PAR30, 75W A19

15W 650 + Lumens Delivered
Color Rendering Index (CRI): 80
Color Temperature: 3,000K
Estimated Life: 25,000 hr. L70
Lamp Equivalents: 75W MR16, PAR30, PAR38, 100W A19

Note: Wattage limitations on compatible items must be met.

ORDERING

ORDERING EXAMPLE : LRLD678WMO-B25

LRLD678	REFLECTOR FINISH	RING FINISH	BEAM SPREAD
LRLD678	W :White	Blank :White	-B25 :Narrow Flood
	B :Black	B :Black	-B45 :Flood
	N :All Natural	CO :Copper	-B60 :Wide Flood
	CO :All Copper	N :Natural	
		MO :Mocha	