

## LRP40 - PHENOLIC PAR38 BAFFLE

6" LINE VOLTAGE TRIMS

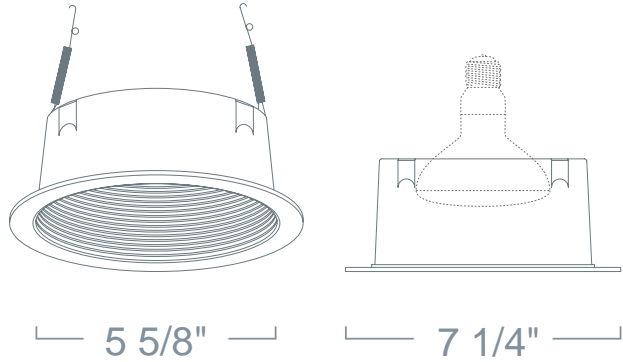


### PROJECT INFORMATION

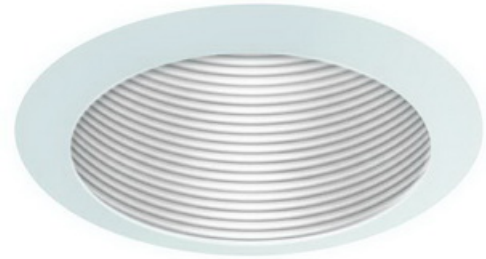
Type :

Project :

Catalog # :



### FEATURE(S):



### SPECIFICATION

120V 150W Max R40/PAR38 MED E26

**Application:** Baffle downlights are used to minimize unwanted glare from the lamp source while providing a budget friendly design to provide general ambient light to an environment.

While the low reflectance level of black makes it the most effective color for baffle trims, white baffles have become the most popular option. The benefit of white baffles is that the trims blend with the ceiling when the lights are turned off. They are suitable for general illumination of residential and light commercial ceilings up to 9 feet. For a room with a typical eight-foot high ceiling, space 6" downlights apart approximately seven feet apart for general lighting applications.

**Mounting** Steel pressure springs mounted on trim to ensure positive retention inside housing.

**Baffle Finish:** Die-Formed Phenolic Baffle Available in White and Black.

**Ring Finish:** Only available in White.

**Label:** U.L. Listed, E.T.L. Listed

**Limitation:** Not for use w/Shallow Housings.

### COMPATIBILITY



LH7

STANDARD HOUSING



LH7IC

100W IC HOUSING ( )



LH7R

REMODEL HOUSING

Note: Wattage limitations on compatible items must be met.

### ORDERING

ORDERING EXAMPLE : LRP40W

**LRP40** | **BAFFLE FINISH** | **RING FINISH**

**LRP40** | **W** :White  
**B** :Black

**Blank**:White