

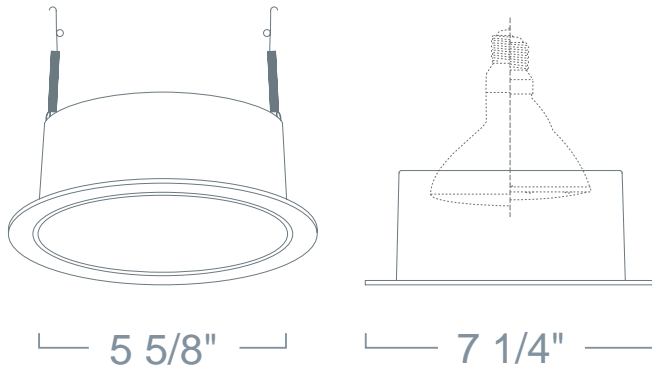




PROJECT INFORMATION

Type :

Project :

Catalog # :



FEATURE(S):  



SPECIFICATION

120V 150W Max R40/PAR38 MED E26

Application: Great for basic area lighting of a room or space. The 6" reflector trims produce a low, bright illumination with a choice of reflector and trim ring color combination. The clear reflector produces a maximum light output while minimizing the source. The black reflector creates a "hidden" effect that obscures the glare of the lamp. All of the color choices create an outstanding general illumination that is suitable in both residential and light commercial applications.

Mounting Steel pressure springs mounted on trim to ensure positive retention inside housing.

Reflector Finish: Spun Aluminum Reflector Available in White, Black, Clear, Gold, Satin Haze and Champagne Gold.

Ring Finish: Die-Formed Aluminum Trim Ring Available in White, Black, Chrome, Gold, Natural and Mocha.

Label: U.L. Listed, E.T.L. Listed

Limitation: Not for use w/Shallow Housings.

COMPATIBILITY



LH7

STANDARD HOUSING



LH7IC

100W IC HOUSING ()



LH7R

REMODEL HOUSING

Note: Wattage limitations on compatible items must be met.

ORDERING

ORDERING EXAMPLE : LRS40CH

LRS40	REFLECTOR FINISH	RING FINISH
LRS40	W :White	Blank :White
	B :Black	B :Black
	C :Clear	C :Chrome
	G :Gold	G :Gold
	S :Satin Haze	N :Natural
	CH :Champagne Gold	MO :Mocha