

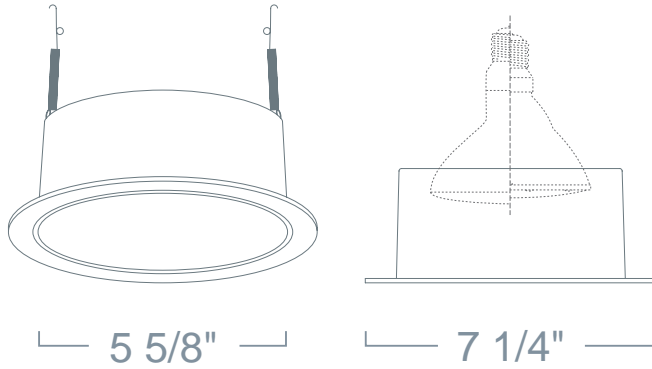


#### PROJECT INFORMATION

Type :

Project :

Catalog # :



#### FEATURE(S):



#### SPECIFICATION

H.I.D PAR38 MED E26

**Application:** Great for basic area lighting of a room or space. The 6" reflector trims produce a low, bright illumination with a choice of reflector and trim ring color combination. The clear reflector produces a maximum light output while minimizing the source. The black reflector creates a "hidden" effect that obscures the glare of the lamp. All of the color choices create an outstanding general illumination that is suitable in both residential and light commercial applications.

**Mounting** Steel pressure springs mounted on trim to ensure positive retention inside housing.

**Reflector Finish:** Spun Aluminum Reflector Available in White, Black, Clear, Gold, Satin Haze and Champagne Gold.

**Ring Finish:** Die-Formed Aluminum Trim Ring Available in White, Black, Chrome, Gold, Natural and Mocha.

**Label:** U.L. Listed, E.T.L. Listed

**Limitation:** Not for use w/Shallow Housings.

#### COMPATIBILITY



LH7MH

STANDARD HID HOUSING



LH7MHR

REMODEL HID HOUSING

Note: Wattage limitations on compatible items must be met.

#### ORDERING

ORDERING EXAMPLE : LRS40CH

LRS40	REFLECTOR FINISH	RING FINISH
LRS40	<b>W</b> :White	<b>Blank</b> :White
	<b>B</b> :Black	<b>B</b> :Black
	<b>C</b> :Clear	<b>C</b> :Chrome
	<b>G</b> :Gold	<b>G</b> :Gold
	<b>S</b> :Satin Haze	<b>N</b> :Natural
	<b>CH</b> :Champagne Gold	<b>MO</b> :Mocha