

LRS926 - DROP OPAL W/ REFLECTOR

4" LINE VOLTAGE TRIMS

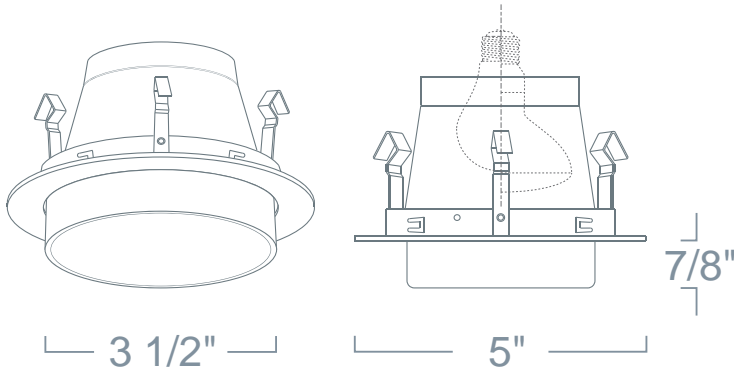


PROJECT INFORMATION

Type :

Project :

Catalog # :



FEATURE(S):



SPECIFICATION

120V 40W Max A19 MED E26
50W PAR

Application: An excellent choice to illuminate a shower or bath. These trims produce a strong vibrant light that fully illuminates the shower and bath areas without drawing attention to the source. These trims figure a clear reflector allowing greater illumination without increasing the lamp wattage.

Gasket: Supplied with gasket to prevent light leakage and unsightly heat streaks on ceiling surface.

Mounting Steel pressure springs mounted on trim to ensure positive retention inside housing.

Reflector Finish: Spun Aluminum Reflector Only available in Clear.

Ring Finish: Die-Formed Aluminum Trim Ring Available in White, White (Plastic), Chrome, Gold, Natural and Copper.

Label: U.L. Listed, E.T.L. Listed

COMPATIBILITY



LH99

STANDARD HOUSING



LH99IC

IC DOUBLE WALL HOUSING



LH99R

REMODEL HOUSING

Note: Wattage limitations on compatible items must be met.

ORDERING

ORDERING EXAMPLE : LRS926W-WL

LRS926	REFLECTOR FINISH	RING FINISH	RATING
LRS926	Blank: Clear	PW: White (Plastic) W : White C : Chrome G : Gold N : Natural CO: Copper	Blank: Damp Location -WL : Wet Location