

## LSHLD6 - 6" SHALLOW HOUSING

6" L.E.D. HOUSINGS

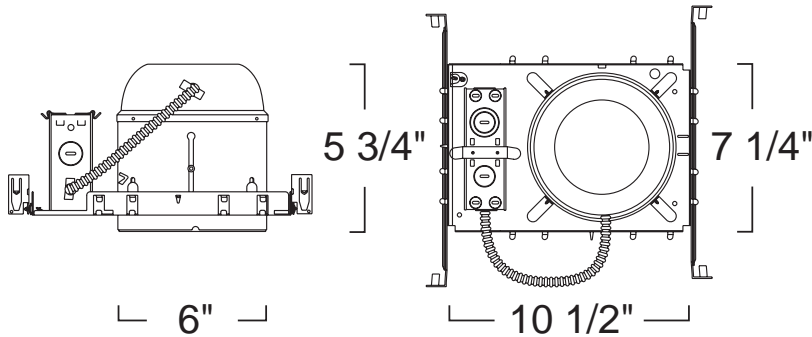
### PROJECT INFORMATION

Type :

Project :

Catalog # :

### FEATURE(S):



### SPECIFICATION

Ceiling cut-out: 6 1/2"

L.E.D. 15W Max

**Application:** General purpose recessed downlight housing for low to medium height ceilings for residential and light commercial applications. A variety of trims, compatible styles and finishes are available to achieve the proper décor and illumination.

**Housing:** Pre-wired housing adjusts up to a 1 1/4" ceiling thickness. Integral thermal protector to guard against improper lamping and installation. Housing provides an adjustable socket plate which allows for use of different lamp types. Trim is secured with torsion wing springs.

**Mounting:** Housing suitable for new construction installations only, supplied with (2) 24" adjustable hanger bars with 90 degrees repositioning ability. Hanger bars equipped with nail-less install 3/4" serrated barbed studs and with captive nails, for faster and easier secure mounting in wood joists. Set-screws lock into position and prevent shifting after installation. Earthquake structural cable compatible for drop panel ceiling or any other mounting that requires direct support from structural ceilings.

**Power Connection:** LED heat sinked lamp module is replaceable via on board quick disconnect terminal. No tools required.

**Driver:** Electronic Direct Current LED driver integrally mounted in electric junction box.

**Warranty:** Covered by a 3 Year Warranty to be free of defects in materials and craftsmanship.

**Junction Box:** 16 gauge pre-wired galvanized steel Junction Box, 32 cubic-inch for a maximum of (8) #12 AWG wires. Furnished with (7) 3/4" and (4) Romex knock-outs. Strain clamps to install or remove covers for easy access and ground wire. Equipped with safety standard fitting for flex-conduit.

**Insulation Contact:** Non IC rated housing must be kept 3" from insulation.

**Safety Labels:** ETL/CETL listed. Suitable for damp locations. NYC approved: Calendar #41937.

Assembled in U.S.A.

### COMPATIBILITY

 <b>LRLD642</b> L.E.D. DECOFROST DOME	 <b>LRLD649</b> REGRESSED DECO CONE	 <b>LRLD677</b> OPEN HEAT SINK GIMBAL L.E.D.
 <b>LRLD678</b> CONCEALED L.E.D. HEAT SINK GIMBAL L.E.D.		

Note: Wattage limitations on compatible items must be met.

### ORDERING

ORDERING EXAMPLE : LSHLD610C50

LSHLD6	WATTAGE
<b>LSHLD6 10C50</b>	:10W
<b>15C70</b>	:15W
<b>10C50-DLV</b>	:10W Low Voltage Dimming
<b>15C70-DLV</b>	:15W Low Voltage Dimming
<b>10C50UE</b>	:10W (120V/277V)
<b>15C70UE</b>	:15W (120V/277V)
<b>15C70-DIN</b>	:2-Wire 15W Incandescent Dimming