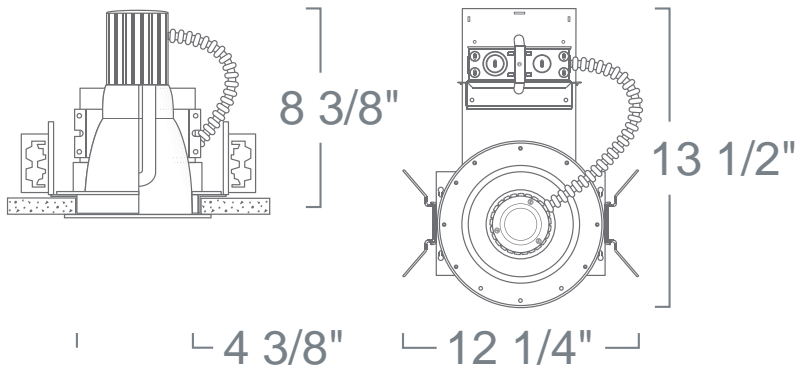


## LVH41 - 4" ARCHITECTURAL HOUSING (ELECTRONIC) 4" ARCHITECTURAL VERTICAL COMPACT FLUORESCENT HOUSING



### PROJECT INFORMATION

Type :

Project :

Catalog # :

### FEATURE(S):



### SPECIFICATION

Ceiling cut-out: 4 7/8"

CFL

**Application:** Architectural-grade recessed downlight housing for low to medium height ceilings and commercial installations. A variety of trims, compatible styles and finishes are available to achieve the proper décor and illumination.

**Mounting:** Housing suitable for new construction installations only, Bat-Wing bar hanger brackets adjust vertically 3 1/4" for multiple ceiling types and accepts 1/2" EMT, 26" C-Channel Strut for T-bar ceilings and 27" adjustable linear hanger bars for plaster ceilings or wood/metal joists. Heavy duty 16-gauge, die-formed galvanized steel. Bar hangers optional.

**Ballast:** Electronic Class P 60Hz Ballast with Inherent thermal protection. For Double Twin Tube (DTT) or Triple Twin Tube Lamps (TTT). Sound A rated. Micro-Processor controlled. Min. starting temperature -10°C. Accessible from above or below the ceiling. Contact factory for detailed technical information on ballast specifications. Note: For dimming applications must use compatible dimmer switch. Consult specific ballast manufacturer for up-to-date compatibility list.

**Socket Cap:** Extruded aluminum socket cap, 1 1/4" vertically adjustable socket arm with set screw which enables the use of multiple lamp types and repositioning to optimize lamp performance. Furnished with heat sink fins to vent lamp heat and extend lamp life. Accepts compatible reflector trims.

**Socket:** Thermo-plastic socket UL Listed rated for high temperature and provides nickel plated contacts. Either accepts 2-Pin lamps for use with magnetic ballast or 4-Pin lamps with electronic ballast selection. Vertically adjustable galvanized steel plate enables lamp repositioning to optimize performance.

**Insulation Contact:** Non IC rated housing must be kept 3" from insulation. IC rated housing rated for direct contact with low to medium density loosefill blown and rolled insulation. For use with high density loose fill blown insulation, reduce rated lamp wattage accordingly (roughly %15-%20).

**Safety Labels:** ETL/CETL listed for through-branch wiring (16) No.12 AWG 90°C and suitable for damp and wet locations (when use with appropriate trim designs). NYC approved: Calendar #41937.

Covered by a 3 Year Warranty to be free of defects in materials and craftsmanship.

### COMPATIBILITY

 <b>C260</b> C-CHANNEL HANGER BAR SET	 <b>L270</b> LINEAR HANGER BAR SET	 <b>LR401</b> SELF-FLANGED HIZAK REFLECTOR
 <b>LR402</b> REFLECTOR W/ LENS	 <b>LR403</b> BAFFLED REFLECTOR	 <b>LR404</b> BAFFLE W/ LENS
 <b>LR4321</b> 4" CYLINDER GLASS		

**Emergency Option:** Emergency back-up operates one lamp for a minimum of 90 minutes at 750 Lumens in case of power outage. Unit is remotely mounted. It includes battery, charger, and test switch with indicator light. Consult Factory for 1300 Lumen Package.

Label: E.T.L. Listed

Assembled in U.S.A.

Note: Wattage limitations on compatible items must be met.

### ORDERING

ORDERING EXAMPLE : LVH4132UE-EM

LVH41	WATTAGE	BALLAST	OPTIONS
<b>LVH41</b>	<b>13</b> :13W	<b>UD</b> :0-10V Dimming (120V/277V)	<b>Blank:</b> None
	<b>13-26</b> :13W/18W/26W	<b>UE</b> :120V/277V Electronic	<b>-EM</b> :Emergency (Remote)
	<b>13IC</b> :13W IC	<b>ADV-SM</b> :120V/277V Smart Mate	<b>-EMA</b> :Emergency (Trim)
	<b>18</b> :18W	<b>ADV-M7</b> :120V/277V Mark VII Dimming	<b>-FS</b> :Fuse
	<b>26</b> :26W	<b>ADV-M10</b> :120V Mark X Dimming	
	<b>32</b> :32W	<b>LUT-HL</b> :120V Lutron 3-Wire Dimming	
		<b>LUT-HL-27</b> :277V Lutron 3-Wire Dimming	
		<b>LUT-TW</b> :120V Tu-wire Dimming	
		<b>UE-347</b> :347V Electronic	
		<b>E</b> :120V Electronic	