

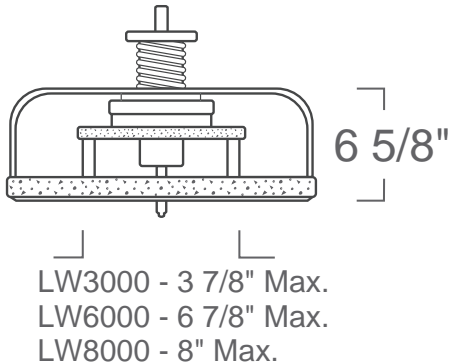
## LW6000 . LW8000 - ADJUSTABLE HOLE SAW ADJUSTABLE HOLE SAW

### PROJECT INFORMATION

Type :

Project :

Catalog # :



FEATURE(S): 



### SPECIFICATION

#### APPLICATIONS:

- For cutting round holes in ceilings, walls and floors (in sizes ranging from 1 1/2" to 6 5/8" in Diameter)
- Cuts plywood, plasterboard and acrylic sheet up to 2.3cm thick (when using Blade "A" which is included).
- Drilling from the opposite side allows cuts up to 4,5 cm thick.
- For cutting aluminum, brass and metal sheets up to 1mm thick (when using Blade "B" which is also included).

#### FEATURES:

1. Support base steadies the drill bit while cutting and keeps the cut perpendicular to the surface.
2. Transparent bowl/shield helps prevent debris from flying into eyes and body while cutting and reduces your clean-up because the bowl captures most of the debris.
3. Compression spring absorbs vibrations while cutting.
4. Cutting depth is freely adjustable via hex locknut and compression spring.
5. Cutting radius is freely adjustable via adjusting lever.
6. Can be used with any variable speed drill and drill press.

#### ACCESSORIES

- PH1 :Drill
- PH2 :Upright Axle
- PH3 :Transverse Axle
- PH4 :Blade A (Long)
- PH5 :Blade B (Short)
- PH6 :Fixed Disk
- PH7 :Fixed Adjusting Disk
- PH8 :Adjusting Rod
- PH9 :Gasket
- PH10 :Support
- PH19 :Balance Bar
- PH22 :Hexagonal Wrench

**Cutting Diameter:** Available in Cutting O.D 1 1/2" to 6 7/8" and Cutting O.D 2" to 8".

Assembled in U.S.A.

### ORDERING

ORDERING EXAMPLE : LW6000

LW	CUTTING DIAMETER
LW 6000	:Cutting O.D 1 1/2" to 6 7/8"
LW 8000	:Cutting O.D 2" to 8"

2012.2.22

ADJUSTABLE HOLE SAW

File Located online [www.liton.com/spec](http://www.liton.com/spec)

ID# : 600