

THE COMPLETE LIGHTING SOLUTION

# LITON

L I G H T I N G



## 2.5" RECESSED LED

DOWNLIGHT | ADJUSTABLE | PINHOLE  
ROUND | SQUARE | FLANGED | FLANGELESS

Introducing the 2.5" Architectural LED Downlight Series, featuring **modular design** and a **large variety** of trim, beam spread, and finish **options**, offering **versatility** for all of your recessed lighting applications.



# AVAILABLE Trims



Downlight  
Flanged Trim  
**LRLD2521**



Downlight  
Flanged Trim  
**LRLDQ2521**



Downlight  
Flangeless Trim  
**LRXLD2521**



Downlight  
Flangeless Trim  
**LRXLDQ2521**



Adjustable Accent  
Flanged Trim  
**LRLD2571**



Adjustable Accent  
Flanged Trim  
**LRLDQ2571**



Adjustable Accent  
Flangeless Trim  
**LRXLD2571**



Adjustable Accent  
Flangeless Trim  
**LRXLDQ2571**



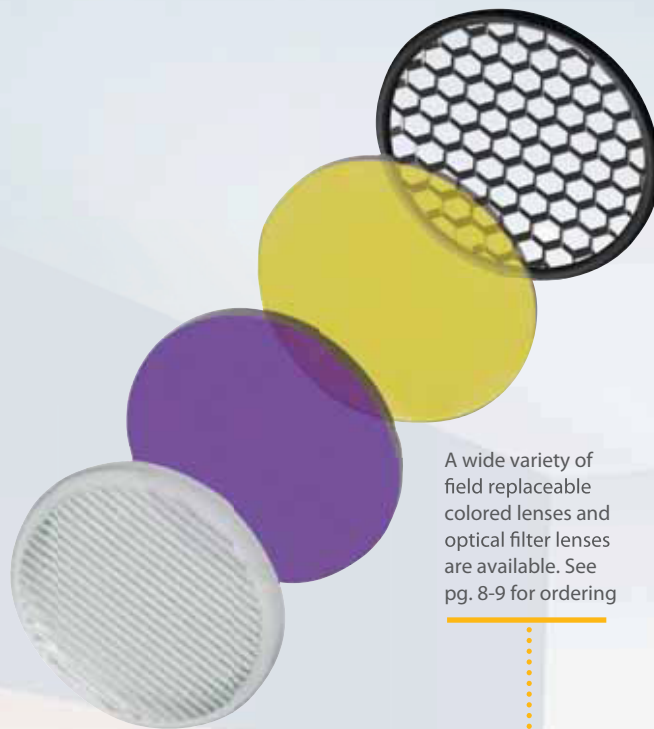
Pinhole  
**LRLD2519**

# Featuring small aperture, powerful lumen output and modular design for extreme versatility.

LITON's all-new 2.5" Architectural LED Series consists of precision grade miniature lighting with round and/or square flanged and flangeless options, adding to our robust family of Specification-Grade Commercial Downlights in a small aperture with powerful lumen output. The modular design of these new downlights enables simple field replacement of color temperature, beam spread, finish, and even trim style, resulting in unprecedented versatility.

## Benefits

- Small 2.5" aperture
- Available in 5 reflector finishes
- Field replaceable beam spread optics
- Over 1000 delivered lumens
- Multiple accessory options
- 100% accessible from below the ceiling
- Flangeless models: true "trimless" design for smooth, uninterrupted planar surfaces



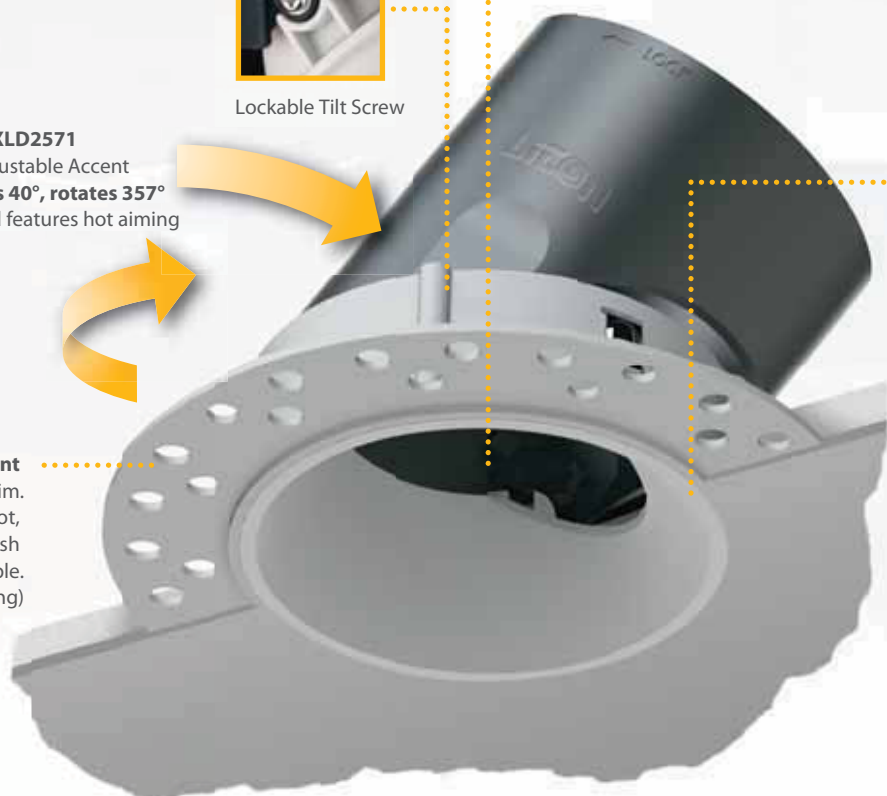
A wide variety of field replaceable colored lenses and optical filter lenses are available. See pg. 8-9 for ordering



Lockable Tilt Screw

**LRXLD2571**  
Adjustable Accent  
**tilts 40°, rotates 357°**  
and features hot aiming

**Adjustable Accent**  
with Flangeless Trim.  
Downlight, Slot,  
Pinhole and Wall Wash  
also available.  
(See pg. 8-9 for ordering)





**Cooling Fins** on Heat Sink prevent overheating.

**0.5% DIMMING**



**Dimmable**

Standard Driver is industry leading 0.5%, 120V, 2-Wire Dimming (1000lm option)

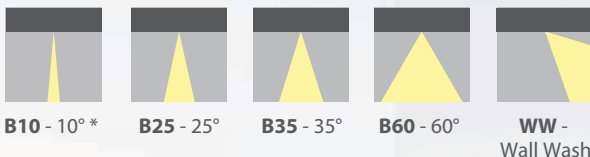
Specify **-DUN** option for 5%, 120V/277V, 0-10V, ELV, Triac Dimming

**LED Light Engine** with Kelvin temperatures from 1700K to 4000K, up to 97 CRI (See pg. 8-9 for ordering). Field replaceable  
 LED Options:  
**L09** - 15W 1000+ Lumen Package  
**L014** - 22W 1400+ Lumen Package

8-3/4" FLEX for ease of installation in ceilings

**Multifaceted Specular Reflector** twist locks in place, available in 10°, 25°, 35° and 60° beam spreads. Field replaceable

**Specular Reflector Beam Spread Options**



**Trim Ring Options**



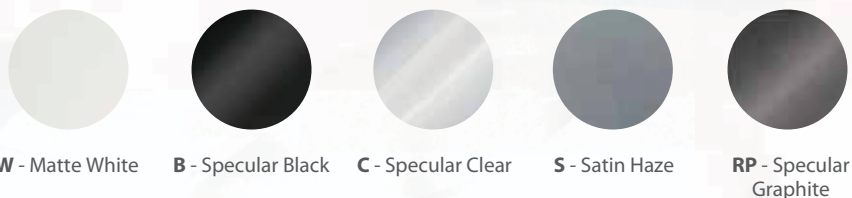
Round Flanged

Square Flanged

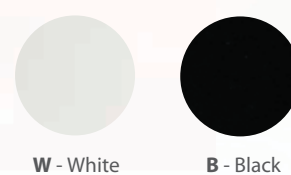
Round Flangeless

Square Flangeless

**Reflector Finishes**



**Flanged Finishes**

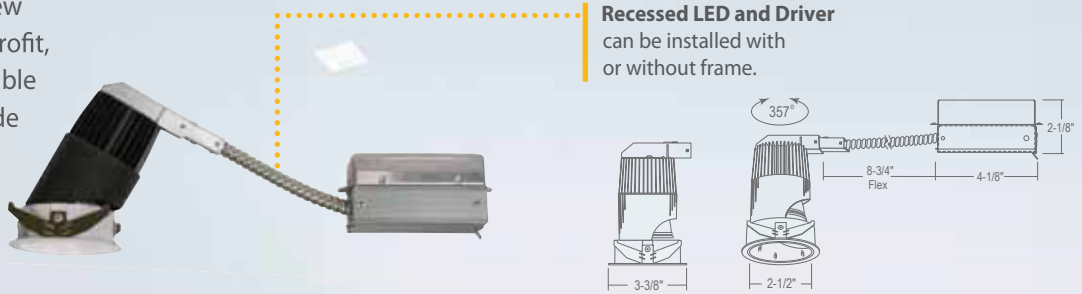


\* Not field changeable

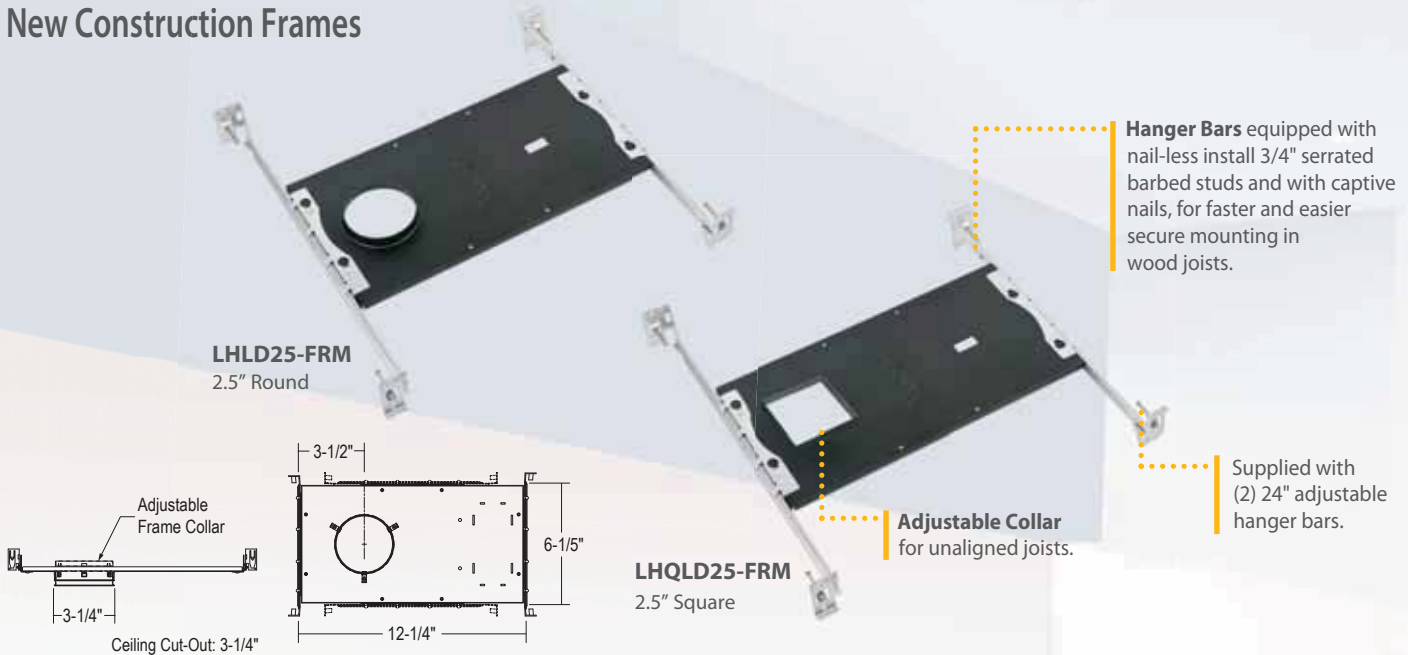


# New Construction, Remodel and Insulation Contact Mounting Options.

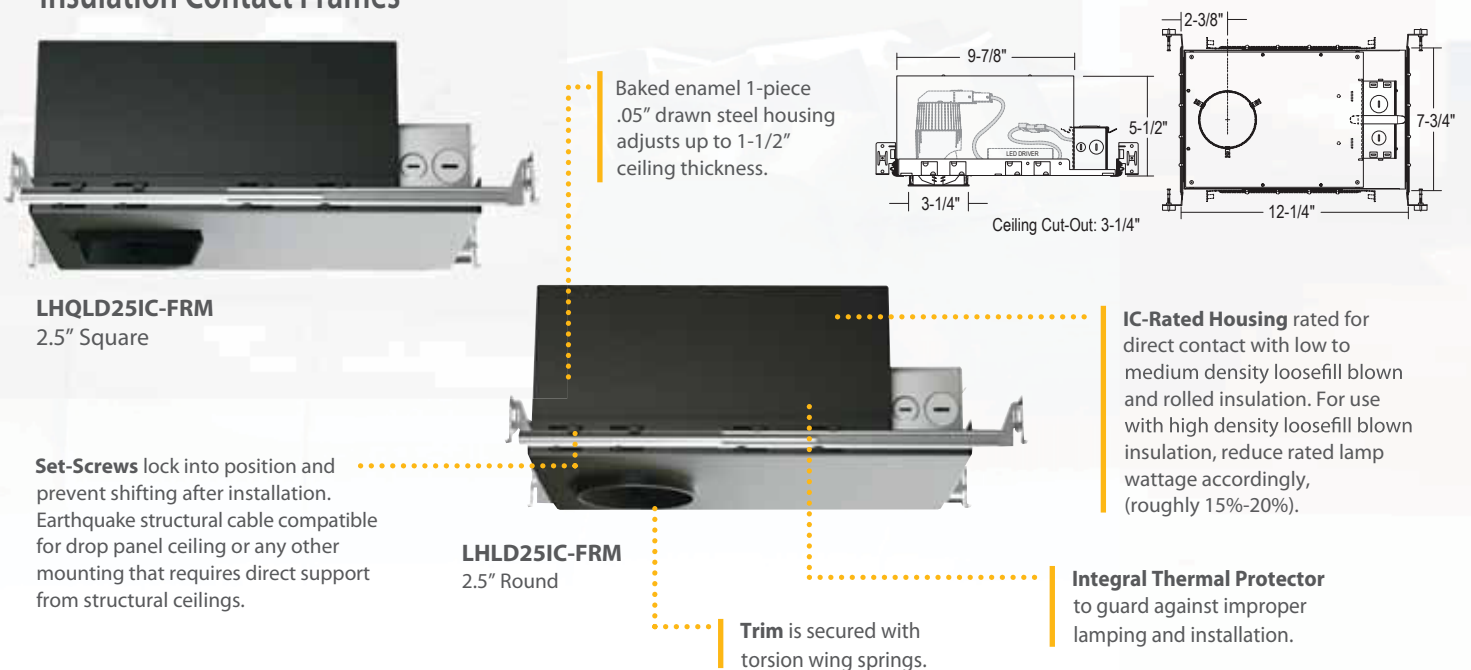
**WHETHER** your needs are new construction, remodel, or retrofit, 2.5" Recessed LEDs are available for all your specification-grade lighting applications.



## New Construction Frames

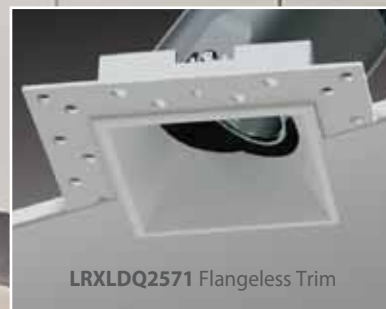


## Insulation Contact Frames



## Flanged Trim Option for Traditional or Flangeless for a More Contemporary Look.

LITON offers flanged or flangeless trim options. Flanged trims work well with almost all architectural styles. Flangeless trims can be used for a more contemporary look when clean unobtrusive ceilings are desired. Mudding may be applied right up to the edge of the fixture to produce smooth, uninterrupted planar surfaces.



# ROUND Ordering

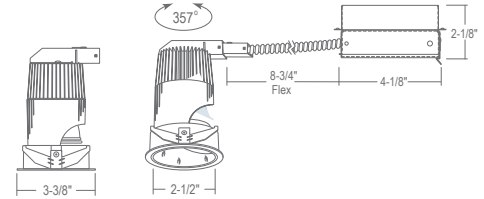
## Housing Frame Option

Example: **LHLD251C-FRM**

### HOUSING

**LHLD251C-FRM**: New Construction IC (Round)

**LHLD25-FRM**: New Construction Non IC (Round)



## Round LED Trim

Example: **LRLD2521WW-L14-B25-T27-DUN**



**LRLD2521**: Downlight



**LRLD2521J**: 25° Adj. Accent



**LRLD2571**: 40° Adj. Accent



**LRLD2572**: Wall Wash

### Flanged

TRIM STYLE	REFLECTOR FINISH	RING FINISH	LUMEN	BEAM SPREAD	COLOR TEMPERATURE	DRIVER	RATING
<b>LRLD2521</b> : Downlight	<b>W</b> : Matte White	<b>W</b> : White	<b>-L09</b> : 1000lm	<b>-B10</b> : 10°**	<b>Blank</b> : 3000K	<b>Blank</b> : 0.5%, 120V, Triac Dimming	<b>Blank</b> : None
<b>LRLD2521J</b> : 25° Adj. Accent	<b>B</b> : Specular Black	<b>B</b> : Black	<b>-L14</b> : 1400lm	<b>-B25</b> : 25° Spot	<b>-C90</b> : 3000K, 90 CRI	<b>-DUN</b> : 5%, 120V/277V, 0-10V, ELV, Triac Dimming	<b>-WL</b> : Airtight Lensed (Wet Location)***
<b>LRLD2571</b> : 40° Adj. Accent	<b>C</b> : Specular Clear			<b>-B35</b> : 35° Flood	<b>-C97</b> : 3000K, 97 CRI		
<b>LRLD2572</b> : Wall Wash	<b>S</b> : Satin Haze			<b>-B60</b> : 60° Wide Flood	<b>-T17</b> : 1700K*		
	<b>RP</b> : Specular Graphite <b>MG</b> : Matt Gold				<b>-T25</b> : 2500K* <b>-T27</b> : 2700K <b>-T27-C90</b> : 2700K, 90+ CRI <b>-T27-C97</b> : 2700K, 97 CRI <b>-T35</b> : 3500K <b>-T40</b> : 4000K <b>-TWD</b> : 3000K-1800K Warm Dimming		



**LRXL2521**: Downlight



**LRXL2521J**: 25° Adj. Accent



**LRXL2571**: 40° Adj. Accent



**LRXL2572**: Wall Wash

### Flangeless

TRIM STYLE	REFLECTOR FINISH	LUMEN	BEAM SPREAD	COLOR TEMPERATURE	DRIVER	RATING
<b>LRXL2521</b> : Downlight	<b>W</b> : Matte White	<b>-L09</b> : 1000lm	<b>-B10</b> : 10°**	<b>Blank</b> : 3000K	<b>Blank</b> : 0.5%, 120V, Triac Dimming	<b>Blank</b> : None
<b>LRXL2521J</b> : 25° Adj. Accent	<b>B</b> : Specular Black	<b>-L14</b> : 1400lm	<b>-B25</b> : 25° Spot	<b>-C90</b> : 3000K, 90 CRI	<b>-DUN</b> : 5%, 120V/277V, 0-10V, ELV, Triac Dimming	<b>-WL</b> : Airtight Lensed (Wet Location)***
<b>LRXL2571</b> : 40° Adj. Accent	<b>C</b> : Specular Clear			<b>-C97</b> : 3000K, 97 CRI		
<b>LRXL2572</b> : Wall Wash	<b>S</b> : Satin Haze			<b>-T17</b> : 1700K*		
	<b>RP</b> : Specular Graphite <b>MG</b> : Matt Gold			<b>-T25</b> : 2500K* <b>-T27</b> : 2700K <b>-T27-C90</b> : 2700K, 90+ CRI <b>-T27-C97</b> : 2700K, 97 CRI <b>-T35</b> : 3500K <b>-T40</b> : 4000K <b>-TWD</b> : 3000K-1800K Warm Dimming		



**LRLD2519**: Pinhole

### Pinhole

TRIM STYLE	FINISH	RING FINISH	LUMENS	COLOR TEMPERATURE	DRIVER	RATING
<b>LRLD2519</b> : Pinhole	<b>BW</b> : Black/White	<b>W</b> : White	<b>-L09</b> : 600lm	<b>Blank</b> : 3000K	<b>Blank</b> : 0.5%, 120V, Triac Dimming	<b>Blank</b> : None
	<b>BB</b> : All Black	<b>B</b> : Black	<b>-L14</b> : 980lm	<b>-C90</b> : 3000K, 90 CRI <b>-C97</b> : 3000K, 97 CRI <b>-T17</b> : 1700K* <b>-T25</b> : 2500K* <b>-T27</b> : 2700K <b>-T27-C90</b> : 2700K, 90+ CRI <b>-T27-C97</b> : 2700K, 97 CRI <b>-T35</b> : 3500K <b>-T40</b> : 4000K <b>-TWD</b> : 3000K-1800K Warm Dimming	<b>-DUN</b> : 5%, 120V/277V, 0-10V, ELV, Triac Dimming	<b>-WL</b> : Airtight Lensed (Wet Location)

\* Extended lead time may apply. Consult factory.

\*\* Not available with 1400lm option. Not field changeable.

\*\*\* -WL Airtight Lensed (Wet Location) not available for LRLD2571 & LRXL2571



# SQUARE Ordering

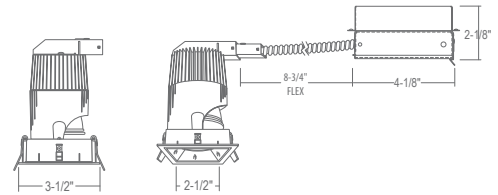
## Housing Frame Option

Example: **LHQLD251C-FRM**

### HOUSING

**LHQLD251C-FRM** : New Construction IC (Square)

**LHQLD25-FRM** : New Construction Non IC (Square)



## Square LED Trim

Example: **LRLDQ2521WW-L14-B25-T27-DUN**

### Flanged



**LRLDQ2521**: Downlight



**LRLDQ2521J**: 25° Adj. Accent



**LRLDQ2571**: 40° Adj. Accent



**LRLDQ2572**: Wall Wash

TRIM STYLE	REFLECTOR FINISH	RING FINISH	LUMEN	BEAM SPREAD	COLOR TEMPERATURE	DRIVER	RATING
<b>LRLDQ2521</b> : Downlight	<b>W</b> : Matte White	<b>W</b> : White	<b>-L09</b> : 1000lm	<b>-B10</b> : 10°**	<b>Blank</b> : 3,000K	<b>Blank</b> : 0.5%, 120V, Triac Dimming	<b>Blank</b> : None
<b>LRLDQ2521J</b> : 25° Adj. Accent	<b>B</b> : Specular Black	<b>B</b> : Black	<b>-L14</b> : 1400lm	<b>-B25</b> : 25° Spot	<b>-C90</b> : 3000K, 90 CRI	<b>-DUN</b> : 5%, 120V/277V, 0-10V, ELV, Triac Dimming	<b>-WL</b> : Airtight Lensed (Wet Location)***
<b>LRLDQ2571</b> : 40° Adj. Accent	<b>C</b> : Specular Clear			<b>-B35</b> : 35° Flood	<b>-C97</b> : 3000K, 97 CRI		
<b>LRLDQ2572</b> : Wall Wash	<b>S</b> : Satin Haze			<b>-B60</b> : 60° Wide Flood	<b>-T17</b> : 1700K*		
	<b>RP</b> : Specular Graphite				<b>-T25</b> : 2500K*		
	<b>MG</b> : Matt Gold				<b>-T27</b> : 2700K		
					<b>-T27-C90</b> : 2700K, 90+ CRI		
					<b>-T27-C97</b> : 2700K, 97 CRI		
					<b>-T35</b> : 3500K		
					<b>-T40</b> : 4000K		
					<b>-TWD</b> : 3000K-1800K Warm Dimming		

### Flangeless



**LRXLDQ2521**: Downlight



**LRXLDQ2521J**: 25° Adj. Accent



**LRXLDQ2571**: 40° Adj. Accent



**LRXLDQ2572**: Wall Wash

TRIM STYLE	REFLECTOR FINISH	LUMEN	BEAM SPREAD	COLOR TEMPERATURE	DRIVER	RATING
<b>LRXLDQ2521</b> : Downlight	<b>W</b> : Matte White	<b>-L09</b> : 1000lm	<b>-B10</b> : 10°**	<b>Blank</b> : 3000K	<b>Blank</b> : 0.5%, 120V, Triac Dimming	<b>Blank</b> : None
<b>LRXLDQ2521J</b> : 25° Adj. Accent	<b>B</b> : Specular Black	<b>-L14</b> : 1400lm	<b>-B25</b> : 25° Spot	<b>-C90</b> : 3000K, 90 CRI	<b>-DUN</b> : 5%, 120V/277V, 0-10V, ELV, Triac Dimming	<b>-WL</b> : Airtight Lensed (Wet Location)***
<b>LRXLDQ2571</b> : 40° Adj. Accent	<b>C</b> : Specular Clear			<b>-C97</b> : 3000K, 97 CRI		
<b>LRXLDQ2572</b> : Wall Wash	<b>S</b> : Satin Haze			<b>-T17</b> : 1700K*		
	<b>RP</b> : Specular Graphite			<b>-T25</b> : 2500K*		
	<b>MG</b> : Matt Gold			<b>-T27</b> : 2700K		
				<b>-T27-C90</b> : 2700K, 90+ CRI		
				<b>-T27-C97</b> : 2700K, 97 CRI		
				<b>-T35</b> : 3500K		
				<b>-T40</b> : 4000K		
				<b>-TWD</b> : 3000K-1800K Warm Dimming		

## Accessories



### COLOR LENS

- L38** : Clear Lens
- L40** : Yellow Lens
- L41** : Blue Lens
- L42** : Amber Lens
- L43** : Green Lens

### FILTER LENS

- LL16B** : Black Hex Cell Louver
- L48** : Lens with Internal Louver Filter
- L49** : Frosted Soft Focus
- L53** : Micro - Prismatic Spread Lens
- L55** : Linear Spread Lens
- L50UV** : Ultra Violet Filter

\* Extended lead time may apply. Consult factory.

\*\* Not available with 1400lm option. Not field changeable.

\*\*\* -WL Airtight Lensed (Wet Location) not available for LRLDQ2571 & LRXLDQ2571

# PHOTOMETRY - Recessed Round Downlight

## LRLD2521-1000LM-25°-3000K

LRLD2521, 25°, 3000K

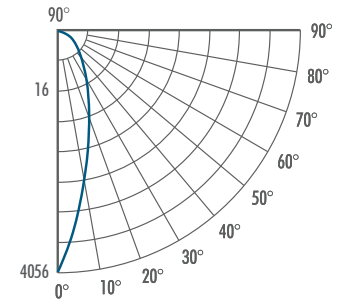
MULTIPLIERS

FOOTCANDLE DISTRIBUTION

CANDELA TABULATION

System Power:	15.1W	4000K:	1.26
Test Date:	1/2017	3500K:	1.11
Beam Angle 50%:	29.1°	2700K:	0.85
Field Angle 10%:	47.8°	2500K:	0.79
Color Temperature:	3163K	1700K:	0.54
CRI:	93.2	<b>LUMEN MULTIPLIERS</b>	
R9 Value:	71.8	1400lm:	1.29
Lumens Delivered:	1085lm	<b>CRI</b>	
CBCP:	4067cd	80 CRI (Blank):	0.86
Power Factor:	>0.9	90 CRI (-C90):	0.96
		97 CRI (-C97):	1.04

HEIGHT	BEAM DIAMETER	FC
3.3'	1.7'	376.8
6.6'	3.4'	94.2
9.8'	5.1'	41.9
13.1'	6.8'	23.6
16.4'	8.5'	15.1



## LRLD2521-1000LM-35°-3000K

LRLD2521, 35°, 3000K

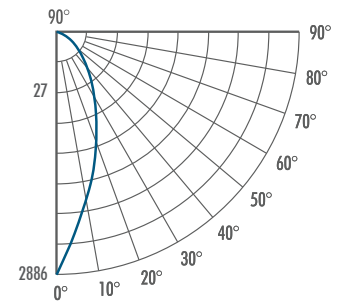
MULTIPLIERS

FOOTCANDLE DISTRIBUTION

CANDELA TABULATION

System Power:	15.1W	4000K:	1.26
Test Date:	1/2017	3500K:	1.11
Beam Angle 50%:	37.9°	2700K:	0.85
Field Angle 10%:	53.6°	2500K:	0.79
Color Temperature:	3170K	1700K:	0.54
CRI:	92.0	<b>LUMEN MULTIPLIERS</b>	
R9 Value:	66.6	1400lm:	1.29
Lumens Delivered:	1126lm	<b>CRI</b>	
CBCP:	2888cd	80 CRI (Blank):	0.87
Power Factor:	>0.9	90 CRI (-C90):	0.98
		97 CRI (-C97):	1.05

HEIGHT	BEAM DIAMETER	FC
3.3'	2.3'	268.1
6.6'	4.5'	67.0
9.8'	6.8'	29.8
13.1'	9.0'	16.8
16.4'	11.3'	10.7



# PHOTOMETRY - Recessed Square Downlight

## LRLDQ2521-1000LM-25°-3000K

LRLDQ2521, 25°, 3000K	MULTIPLIERS	FOOTCANDLE DISTRIBUTION	CANDELA TABULATION
System Power: 15.1W	4000K: 1.26	<b>HEIGHT</b>	
Test Date: 1/2017	3500K: 1.10	<b>BEAM DIAMETER</b>	
Beam Angle 50%: 28.6°	2700K: 0.85	3.3'	
Field Angle 10%: 45.5°	2500K: 0.79	6.6'	
Color Temperature: 3171K	1700K: 0.54	9.8'	
CRI: 92.1	<b>LUMEN MULTIPLIERS</b>	13.1'	
R9 Value: 67.0	1400lm: 1.41	16.4'	14.8
Lumens Delivered: 990lm	<b>CRI</b>		
CBCP: 3987cd	80 CRI (Blank): 0.87		
Power Factor: >0.9	90 CRI (-C90): 0.98		
	97 CRI (-C97): 1.05		

## LRLDQ2521-1000LM-35°-3000K

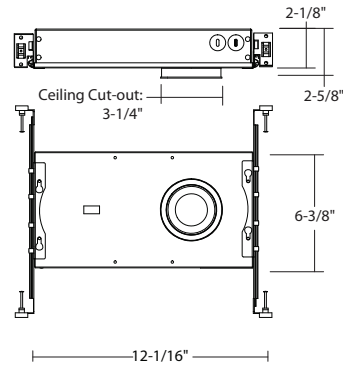
LRLDQ2521, 35°, 3000K	MULTIPLIERS	FOOTCANDLE DISTRIBUTION	CANDELA TABULATION
System Power: 15.1W	4000K: 1.26	<b>HEIGHT</b>	
Test Date: 1/2017	3500K: 1.11	<b>BEAM DIAMETER</b>	
Beam Angle 50%: 36.5°	2700K: 0.85	3.3'	
Field Angle 10%: 52.7°	2500K: 0.79	6.6'	
Color Temperature: 3167K	1700K: 0.54	9.8'	
CRI: 92.1	<b>LUMEN MULTIPLIERS</b>	13.1'	
R9 Value: 66.5	1400lm: 1.35	16.4'	10.6
Lumens Delivered: 1037lm	<b>CRI</b>		
CBCP: 2870cd	80 CRI (Blank): 0.87		
Power Factor: >0.9	90 CRI (-C90): 0.98		
	97 CRI (-C97): 1.05		



# 2.5" SUPER-SHALLOW FRAME

## New construction Round

For shallow plenums.



2-1/8" housing is the same height as a credit card!



### ORDERING

Example: **LSHLD2-12C35-B60-UE-DUN-T30-C90/LR2521WW**

FRAME	LUMEN*	BEAM SPREAD	DRIVER	COLOR TEMPERATURE
<b>LSHLD2</b>	<b>-10C25:</b> 1000lm (10W)	<b>-B25:</b> 25° Narrow Flood	<b>Blank:</b> Non-Dimming <b>UE-DUN:</b> 5%, 120V/277V, 0-10V, ELV, Triac Dimming	<b>-T27</b> 2700K (90CRI)
	<b>-15C35:</b> 1300lm (15W)	<b>-B35:</b> 35° Flood		<b>-T27-C97</b> 2700K (97 CRI)
	<b>-20C50:</b> 2000lm (20W)	<b>-B60:</b> 60° Wide Flood		<b>-T30</b> 3000K (90CRI)
	<b>-30C70:</b> 2600lm (30W)	<b>-B90:</b> 90° Very Wide Flood		<b>-T30-C97</b> 3000K (97CRI)
				<b>-T35</b> 3500K (90CRI)
				<b>-T45</b> 4000K (90CRI)

### TRIM OPTIONS

FIXTURE	REFLECTOR FINISH	RING FINISH**	RATING
<b>LR2521</b> Flanged Downlight	<b>W:</b> Matte White	<b>W:</b> White	<b>Blank:</b> Non-Dimming (120V)
<b>LR2572</b> Flanged Wall Wash	<b>B:</b> Specular Black	<b>B:</b> Black	<b>-WL:</b> Airtight Lensed (Wet Location)
<b>LRX2521</b> Flangeless Downlight	<b>C:</b> Specular Clear		
<b>LRX2572</b> Flangeless Wall Wash	<b>RP:</b> Specular Graphite		
	<b>RP:</b> Satin Haze		
	<b>MG:</b> Matt Gold		



**LR2521**  
Flanged  
Downlight



**LR2572**  
Flanged  
Wall Wash



**LRX2521**  
Flangeless  
Downlight



**LRX2572**  
Flangeless  
Wall Wash

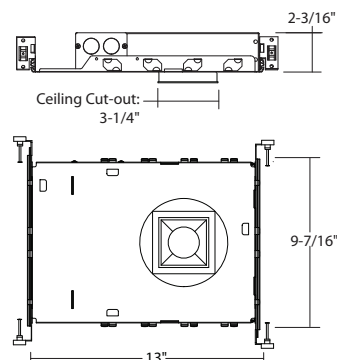
\*Lumens are nominal delivered.

\*\*Not applicable for LRX2521 and LRX2572 Flangeless Reflectors.

# 2.5" SUPER-SHALLOW FRAME

## New construction Square

For shallow plenums.



2-1/8" housing is the same height as a credit card!

### ORDERING

Example: **LSHQLD2-12C35-B60-UE-DUN-T30-C90/LR2521WW**

FRAME	LUMEN*	BEAM SPREAD	DRIVER	COLOR TEMPERATURE
<b>LSHQLD2</b>	<b>-10C25:</b> 1000lm (10W)	<b>-B25:</b> 25° Narrow Flood	<b>Blank:</b> Non-Dimming <b>UE-DUN:</b> 5%, 120V/277V, 0-10V, ELV, Triac Dimming	<b>-T27</b> 2700K (90CRI)
	<b>-15C35:</b> 1300lm (15W)	<b>-B35:</b> 35° Flood		<b>-T27-C97</b> 2700K (97 CRI)
	<b>-20C50:</b> 2000lm (20W)	<b>-B60:</b> 60° Wide Flood		<b>-T30</b> 3000K (90CRI)
	<b>-30C70:</b> 2600lm (30W)	<b>-B90:</b> 90° Very Wide Flood		<b>-T30-C97</b> 3000K (97CRI)
				<b>-T35</b> 3500K (90CRI)
				<b>-T45</b> 4000K (90CRI)

### TRIM OPTIONS

FIXTURE	REFLECTOR FINISH	RING FINISH**	RATING
<b>LRQ2521</b> Flanged Downlight	<b>W:</b> Matte White	<b>W:</b> White	<b>Blank:</b> Non-Dimming (120V)
<b>LRQ2572</b> Flanged Wall Wash	<b>B:</b> Specular Black	<b>B:</b> Black	<b>-WL:</b> Airtight Lensed (Wet Location)
<b>LRXQ2521</b> Flangeless Downlight	<b>C:</b> Specular Clear		
<b>LRXQ2572</b> Flangeless Wall Wash	<b>RP:</b> Specular Graphite		
	<b>RP:</b> Satin Haze		
	<b>MG:</b> Matt Gold		



**LRQ2521**  
Flanged  
Downlight



**LRQ2572**  
Flanged  
Wall Wash



**LRXQ2521**  
Flangeless  
Downlight



**LRXQ2572**  
Flangeless  
Wall Wash

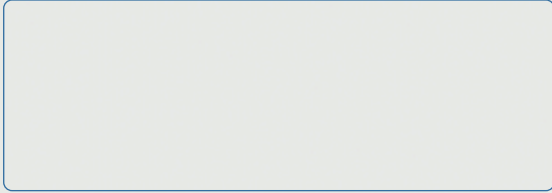
\*Lumens are nominal delivered.

\*\*Not applicable for LRXQ2521 and LRXQ2572 Flangeless Reflectors.

## 2.5" RECESSED LED

# LITON®

L I G H T I N G



- 2.5-INCH RECESSED LED
- ROUND / SQUARE
- FLANGED / FLANGELESS

### ALSO AVAILABLE

#### ▶ LUMEN BLAST



LHABLD6

- 6" Recessed Architectural Grade LED Downlight
- Super shallow 7-1/4" height for shallow plenum
- Spot, Flood and Wide Flood Beam Spreads
- 6000 to 10,000 Lumen Output
- Powerful Illumination for High Ceilings

#### ▶ LUMEN CANNON



LCALD4 - 4"

LCALD6 - 6"

- 4" and 6" Architectural Grade LED
- Pendant or Ceiling or Wall Mount
- Flat /Slope Ceiling Pendant Adapters Available
- 600 to 6000 Lumen Output